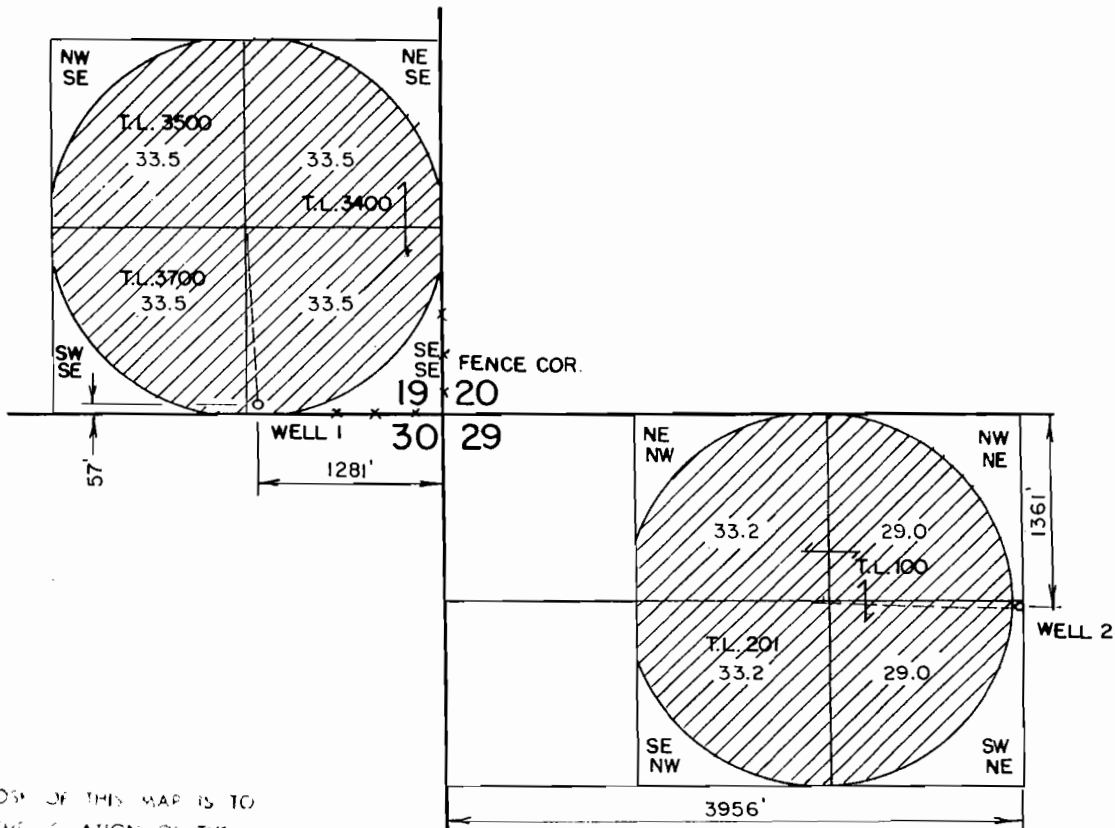


T. 26 S., R. 33 E., W.M.




THE PURPOSE OF THIS MAP IS TO IDENTIFY THE LOCATION OF THE WATER RIGHT AND NOT INTENDED TO PROVIDE INFORMATION RELATIVE TO THE LOCATION OF PROPERTY OWNERSHIP



FINAL PROOF SURVEY

UNDER APPLICATION NO. G-12664 PERMIT NO. G-11956 IN THE NAME OF HERB DAVIS AND SONS

Scale: 4" = MILE	Date: JAN. 1997	Job: 1338 - 97
Dsn:	 M. A. PALMER & SONS, INC. ENGINEERING & SURVEYING 254 N. Alder - Box 61 Burns, Oregon 97720	Sht. No.
Drn: CHRIS		1
Ckd:		of 1