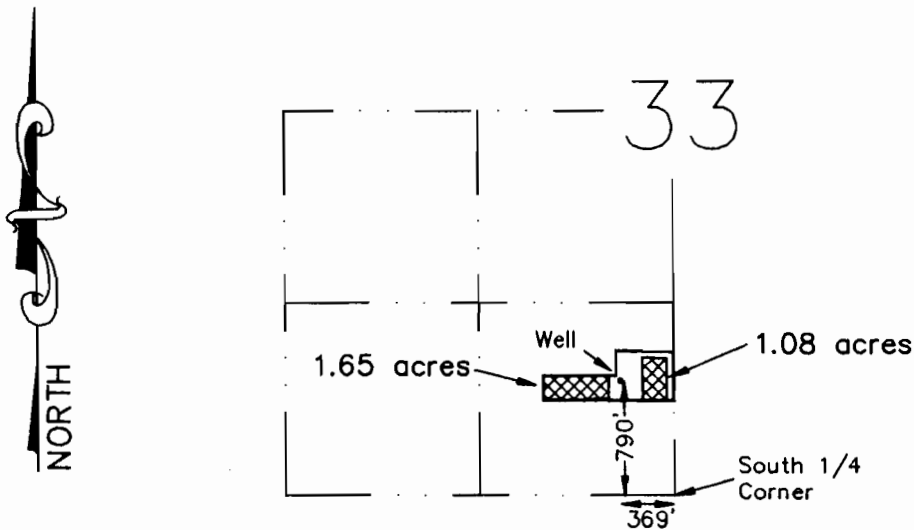


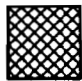
RECEIVED

MAY 22 1996

WATER RESOURCES DEPT
SALEM, OREGON

FINAL PROOF MAP
APPROPRIATE GROUND WATER
FOR
CARL UTZINGER
IN THE SE 1/4 SW 1/4 OF SECTION 33,
TOWNSHIP 15 SOUTH, RANGE 11 EAST, W.M.,
IN DESCHUTES COUNTY, OREGON



 = Irrigated Area (2.73 Acres)
G12580

I, Michael W. Tye, Certified Water Right Examiner in the State of Oregon, hereby certify that this water rights survey map was prepared under my direct supervision.

The preparation of this map is for the purpose of identifying the location of the water right only and has no intent to provide dimensions or locations of property ownership lines.

Certified Water Right Examiner
190
Michael W. Tye
Michael W. Tye
May 17, 1988
STATE OF OREGON
E.P. 6-30-96

SCALE 1"=1320' | DATE 5-1-96 | SURVEY BY PM&RT | DRAWN BY P.A.R. | ORDER NO. 3037-22

SUN COUNTRY ENGINEERING & SURVEYING, INC.
61555 PARRELL ROAD BEND, OREGON 97702 PHONE 382-8882