

FINAL PROOF SURVEY

AND

CLAIM OF BENEFICIAL USE

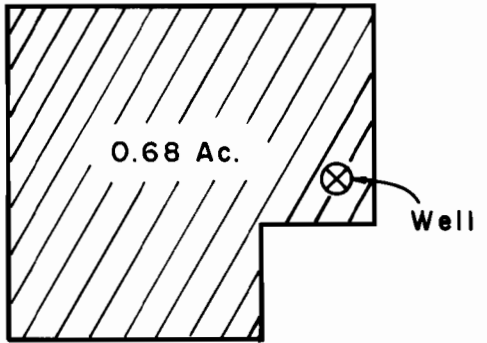
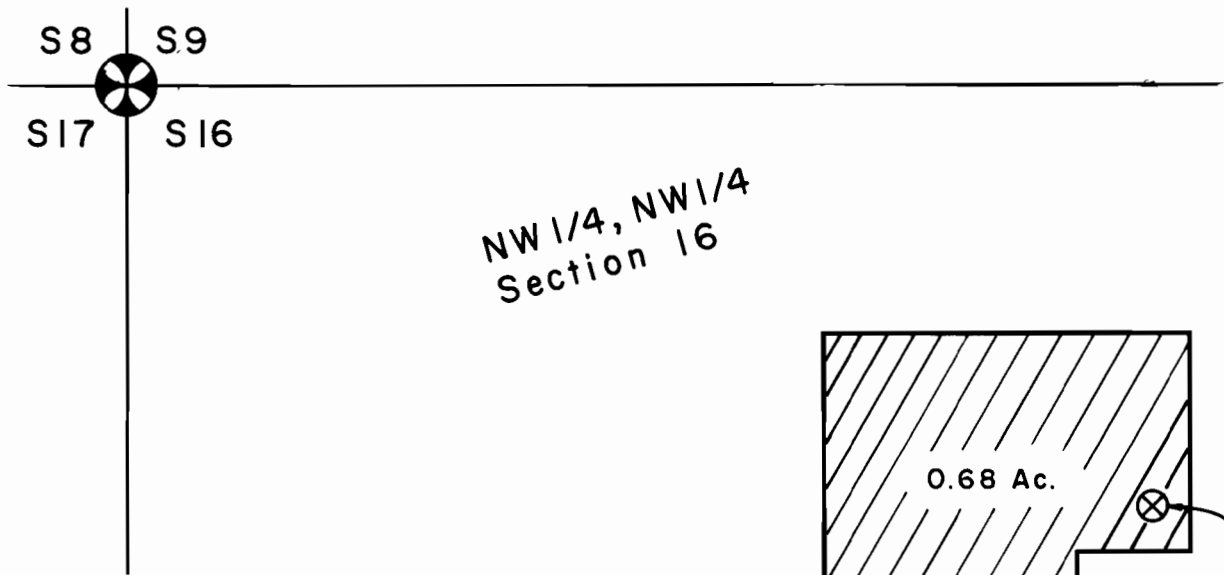
LOCATED IN

NW 1/4, NW 1/4, SECTION 16, T2N, R32E, WM
UMATILLA COUNTY, OREGON

APPLICATION G-13634

PERMIT G-12061



BERT L. and DOROTHY M. JONES



0 50 100
Scale: 1" = 100'

Area beneficially irrigated: 0.68 Ac.

Legend

-  Area under irrigation:
NW 1/4, NW 1/4
Section 16:
0.68 Acres
-  Well, located
220' South and
533' East of
NW corner of
Sec. 16, T2N, R32E

This map is prepared for the express purpose to show water appropriation and use. It is not intended to show or locate property ownership lines.



Dennis L. Gaylord, CWRE
4107 S.W. Lake Drive
Pendleton, OR 97801
1 (541) 276-6260

Drawn: D. Messer

©