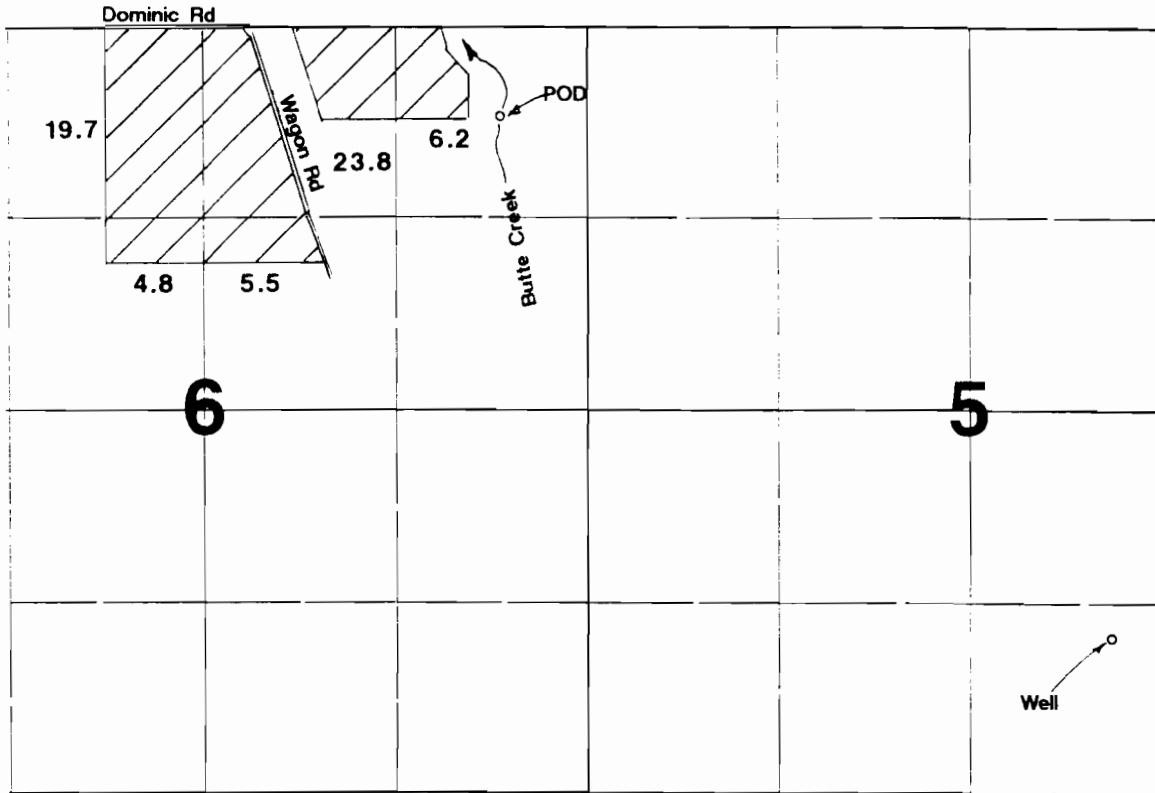


T.6S. R.1E., W.M



Well located 1570'S & 960'E from center of Section 5.
POD located in NE1/4 NE1/4 of Section 6.

Final Proof Survey

Application #: G-13055 Permit #: G-12127

In Name Of

Larry Ross

Surveyed on August 19, 1999 by JM Schuette

This Map Was Prepared For The Purpose Of Identifying The Location Of A Water Right Only And Is Not Intended To Provide Legal Dimensions Or Location Of Property Ownership Lines.

RECEIVED
SEP 07 1999
WATER RESOURCES DEPT
SALEM, OREGON

