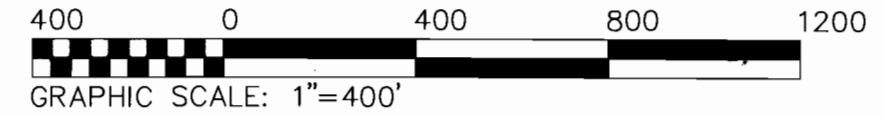


FINAL PROOF SURVEY

APPLICATION No. G-12881 PERMIT No. G-12489

Applicant: David White
 4457 John Day Highway
 Vale, OR 97918







WELL LOCATIONS

WELL #1 IS NORTH 1674' & EAST 816' OF THE SW CORNER OF SECTION 23.

WELL #2 IS EAST 2341' & NORTH 1094' OF THE SW CORNER OF SECTION 23.

LEGEND

- GOVERNMENT CORNER 
- WELL 
- NEW PRIMARY RIGHT 
- SUPPLEMENTAL RIGHT 

This map is for the purpose of identifying the location of the water right only and has no intent to provide dimensions or location of property ownership lines.

