


**FINAL PROOF MAP
FOR
METOLIUS RIVER RESORT**

LOCATED IN THE SOUTHEAST ONE-QUARTER OF THE
NORTHWEST ONE-QUARTER OF
SECTION 10, TOWNSHIP 13, RANGE 9 EAST, W.M.,
JEFFERSON COUNTY, OREGON

PERMIT NO. G12627

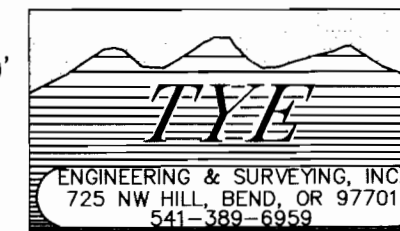
 1.3 ACRES OF WATER RIGHTS

I, WILLIAM R. TYE, CERTIFIED WATER RIGHT EXAMINER
IN THE STATE OF OREGON, HEREBY CERTIFY THE
FINAL PROOF MAP WAS PREPARED UNDER MY
DIRECT SUPERVISION.

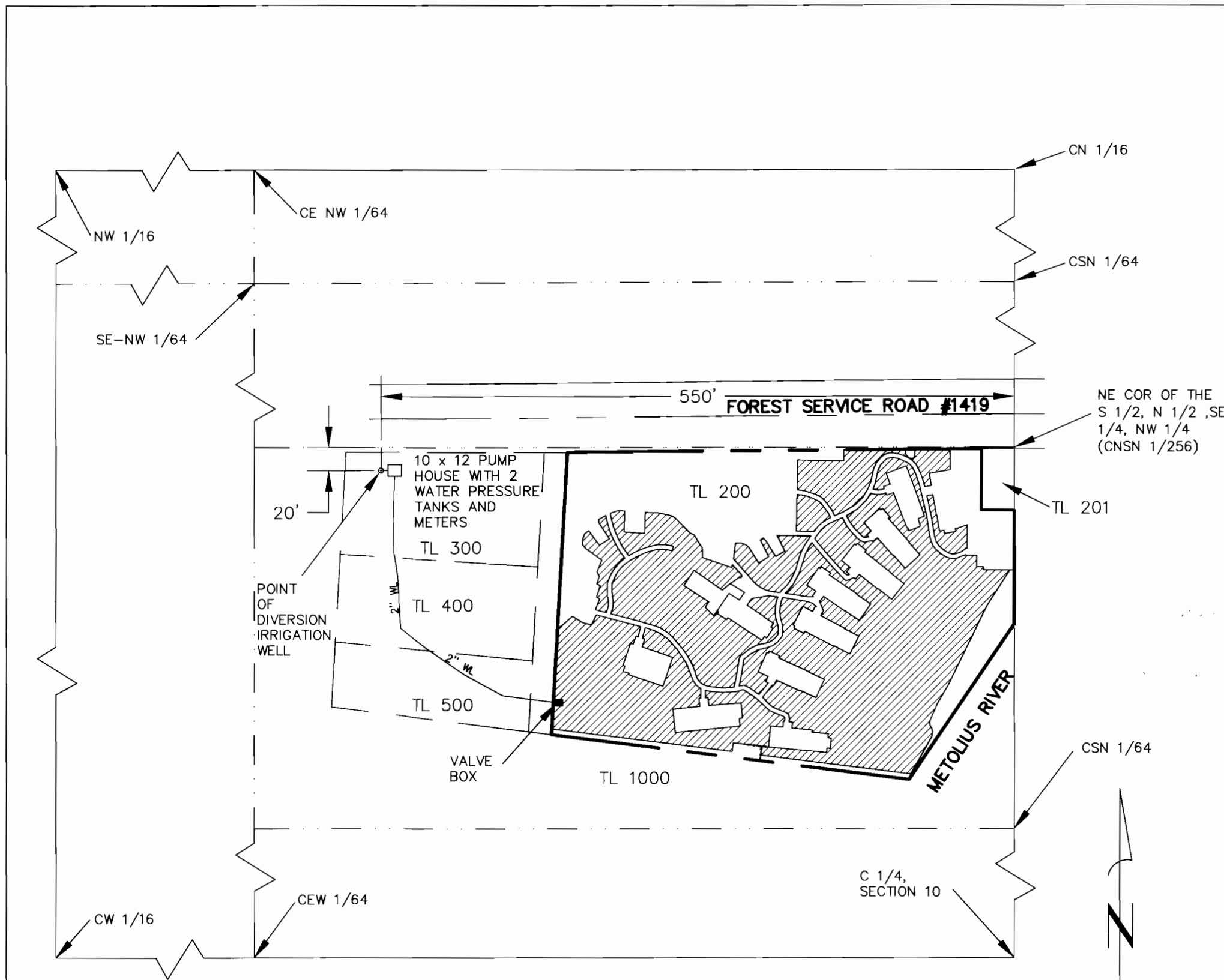
THE PREPARATION OF THIS MAP IS FOR THE
PURPOSE OF IDENTIFYING THE LOCATION OF THE
WATER RIGHT ONLY AND HAS NO INTENT TO
PROVIDE DIMENSIONS OR LOCATIONS OF PROPERTY
OWNERSHIP LINES.



RENEWAL: JUNE 30, 2004



TITLE: WATER RIGHTS	
JOB NO: 674	
SCALE: 1" = 100'	DRAWN BY: A.T.T.
FIELD BOOK NO:	DATE: 8/7/2003
DWG NAME: 674-22	SHEET: 1 OF 1

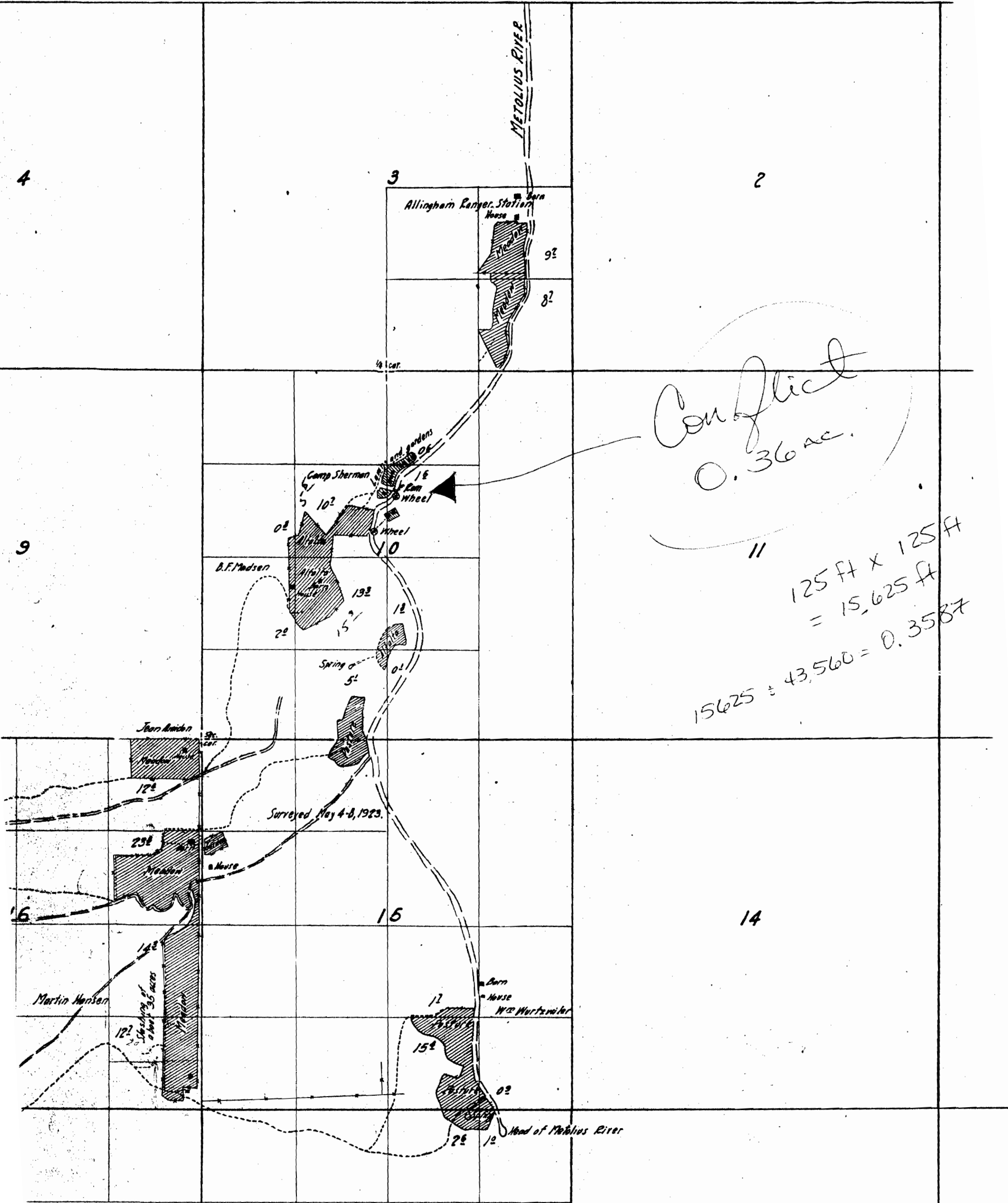


SCALE: 1" = 100'

10 N,

Range 9 E.

Township 13 South



Conflict
0.36 ac.

11
 $125 \text{ ft} \times 125 \text{ ft} = 15,625 \text{ ft}^2$
 $15,625 \times 43,560 = 0.3587$

sketched in approxi-
 from U.S. Township
 vicinity of irriga-

Application No. G13671

Project No. G12627

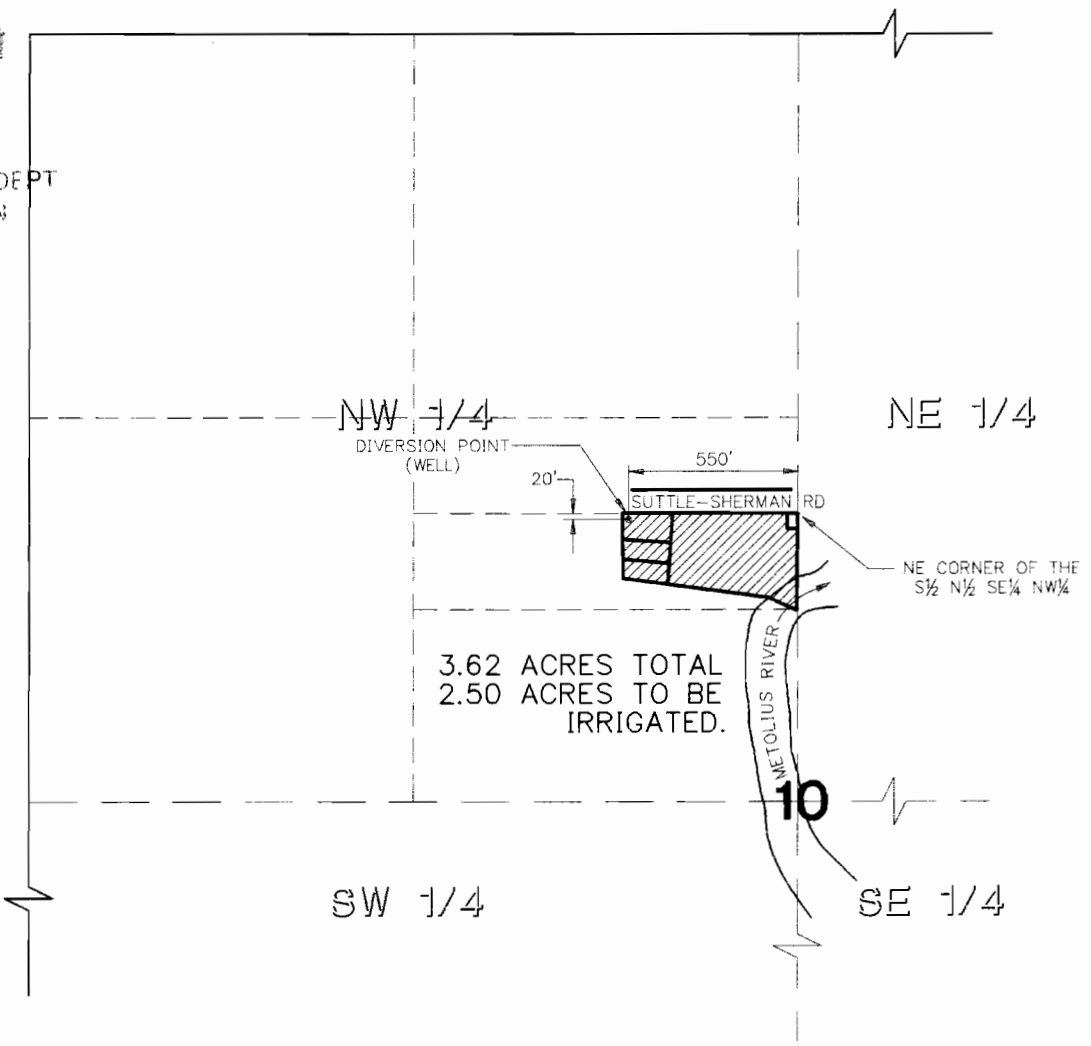
APPLICATION TO APPROPRIATE GROUND WATER FOR IRRIGATION USE

TAX LOTS 200, 300, 400, AND 500
IN THE SE 1/4 NW 1/4 OF SECTION 10, T13S, R9E, W.M.
JEFFERSON COUNTY, OREGON

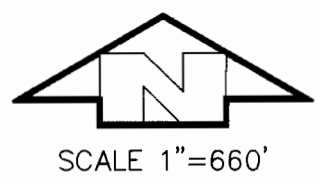
RECEIVED

APR 28 1994

WATER RESOURCES DEPT
SALFEM OREGON



THIS MAP IS FOR THE PURPOSE OF IDENTIFYING THE LOCATION OF POINT(S) OF DIVERSION AND PLACE(S) OF USE OF THE WATER RIGHTS ONLY AND IS NOT INTENDED TO PROVIDE LEGAL DIMENSIONS OF THE PROPERTIES ILLUSTRATED HEREIN.



OWNER:
METOLIUS RESORT WATER CO.

LEE ENGINEERING, INC.
1300 JOHN ADAMS ST.
OREGON CITY, OR, 97045

DWG TITLE:
APPLICATION MAP

DATE: 03/22/94	REVISED:
FILE NO: 1319P03	