

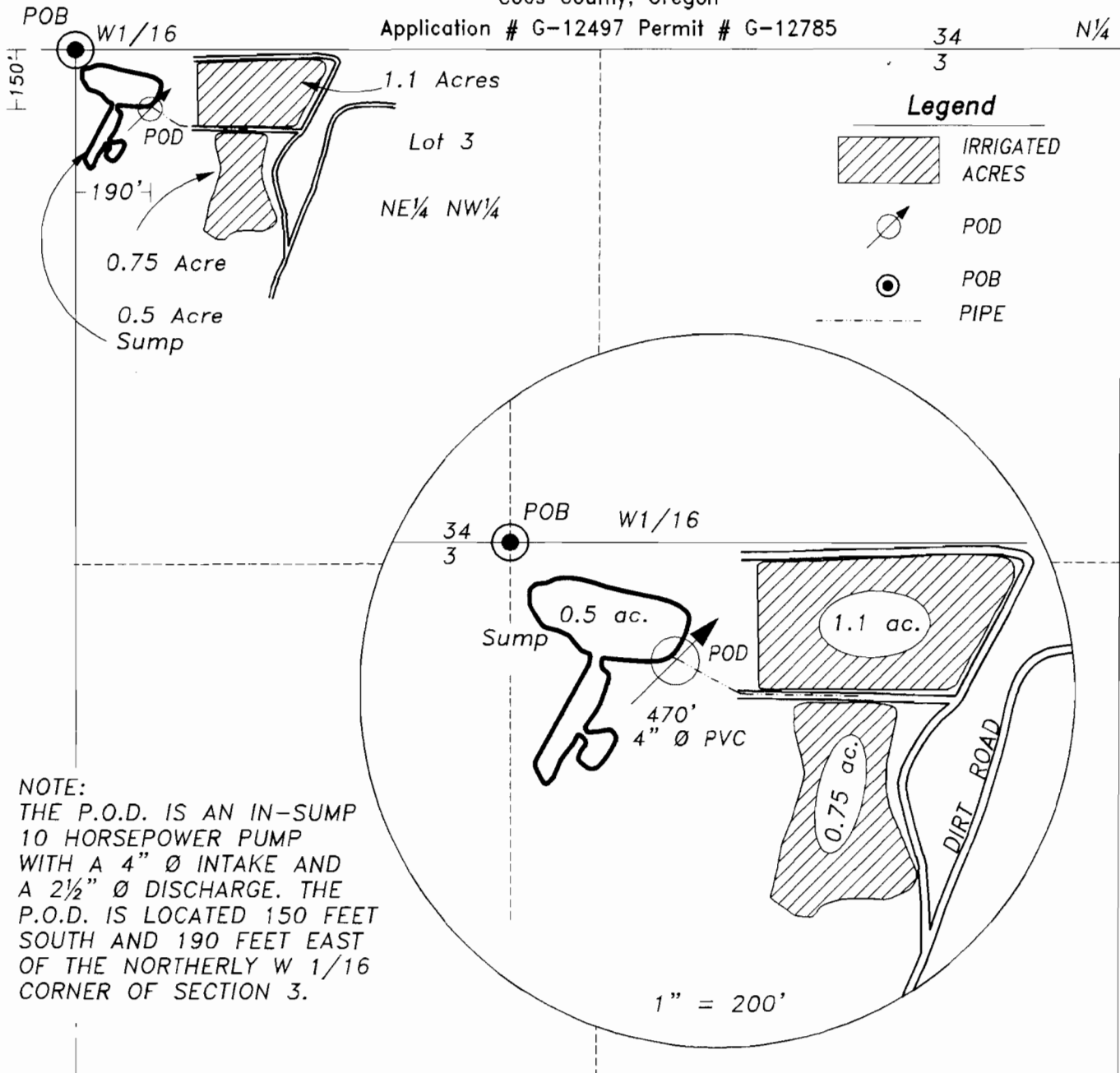
CLAIM OF BENEFICIAL USE FINAL PROOF MAP

Located in Government Lot 3
Section 3, Township 28 South Range 14 West, W.M.
Coos County, Oregon

Application # G-12497 Permit # G-12785

34
3

N¼



NOTE:
THE P.O.D. IS AN IN-SUMP
10 HORSEPOWER PUMP
WITH A 4" Ø INTAKE AND
A 2½" Ø DISCHARGE. THE
P.O.D. IS LOCATED 150 FEET
SOUTH AND 190 FEET EAST
OF THE NORTHERLY W 1/16
CORNER OF SECTION 3.

Prepared For: Haueter Logging
Prepared By: Dennis Goude
Surveyed: April 28, 2000



EXPIRES 06/30/2001

EXAMINERS DISCLAIMER STATEMENT

The preparation of this map was for the purpose of identifying the location of the Water Right only and has no intent to provide dimensions or location of property ownership lines.

**Stuntzner Engineering
& Forestry**

705 So. 4th Street
P.O. Box 118
Coos Bay, Oregon 97420
Phone (541) 267-2872
Fax (541) 267-0588

Scale 1" = 400 Feet