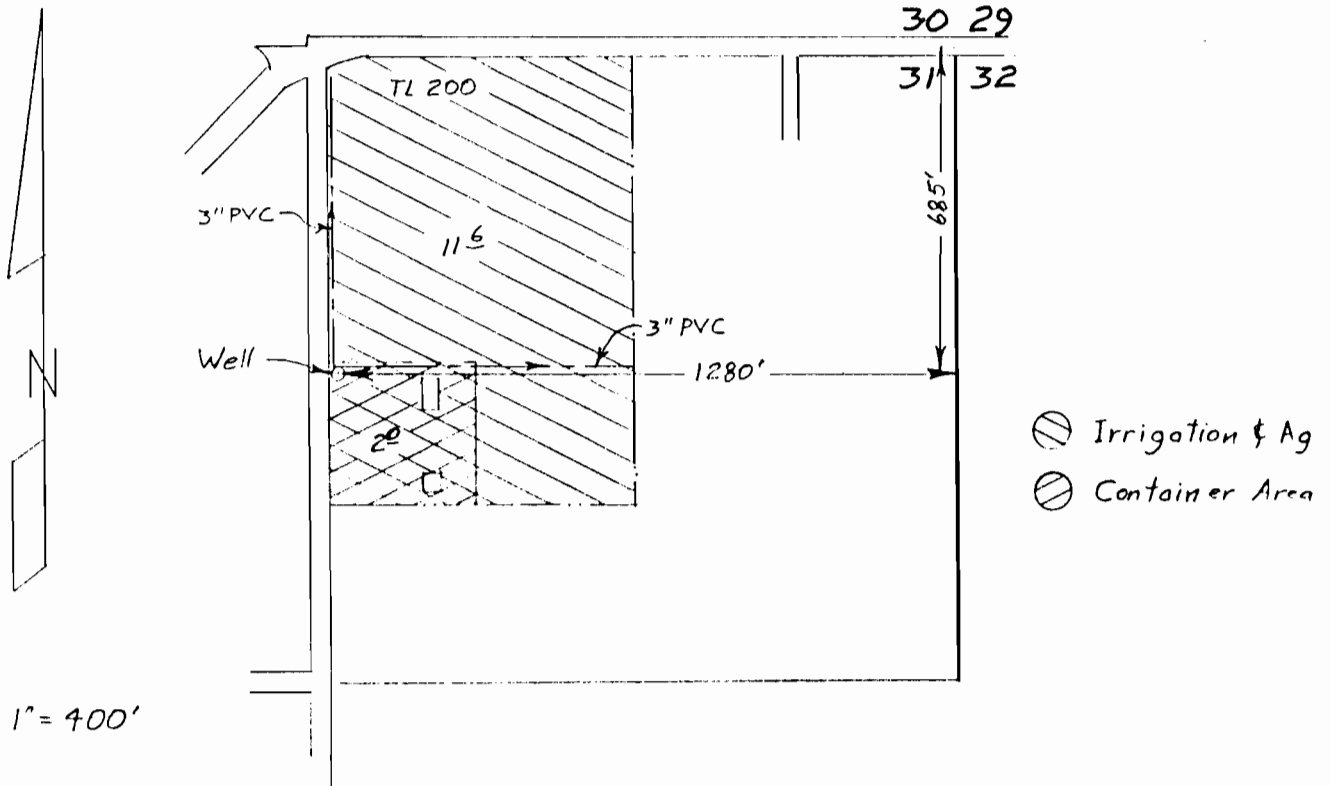


TOWNSHIP 1 SOUTH, RANGE 4 EAST, W.M.

Section 31, NE¼ NE¼

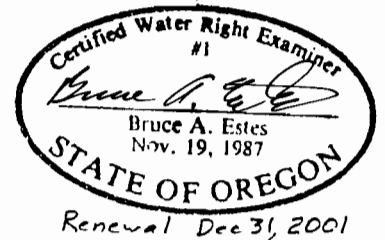


Scale 1" = 400'

Surveyed March 23, 2001

Claim of Beneficial Use Map
for
MARK HANDY

App G-13869
Per G-12864



This map is for the purpose of locating a water right only and has no intent to provide legal dimensions or the location of property lines.

ESTES SURVEYS, LLC

PO Box 17519 60382 Arnold Rd
Salem, OR 97305-7519 Bend, OR 97702
(503) 585-7593 (541) 382-7391