

FINAL PROOF SURVEY

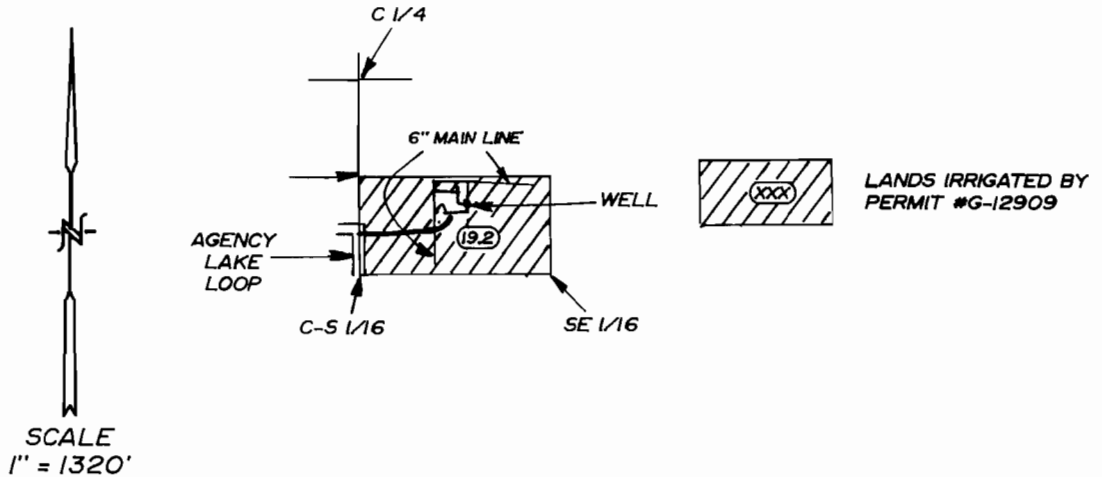
BEING GOVERNMENT LOT 17, SITUATED IN THE
NW1/4 SE1/4 OF SECTION 6, T35S, R7EWM,
KLAMATH COUNTY, OREGON

APPLICATION #G-14122

PERMIT #G-12909

MAP PREPARED FOR
-- BRIAN AND SHARON ALLEN --

MAP PREPARED FROM
-- APPLICATION MAP --
-- FIELD SURVEY --



TOTAL AREA

19.0 ACRES

Dennis A. Erson

WELL LOCATION

766 FEET WEST AND 164 FEET SOUTH
OF THE SOUTHWEST CORNER
GOVERNMENT LOT 14

THE PURPOSE OF THIS MAP IS TO IDENTIFY
THE LOCATION OF THE WATER RIGHT. IT IS NOT
INTENDED TO PROVIDE INFORMATION RELATIVE
TO THE LOCATION OF PROPERTY OWNERSHIP
BOUNDARY LINES.

TRU-LINE SURVEYING, INC.
2333 SUMMERS LANE
KLAMATH FALLS, OREGON 97603