

RECEIVED

JUL - 1 1996

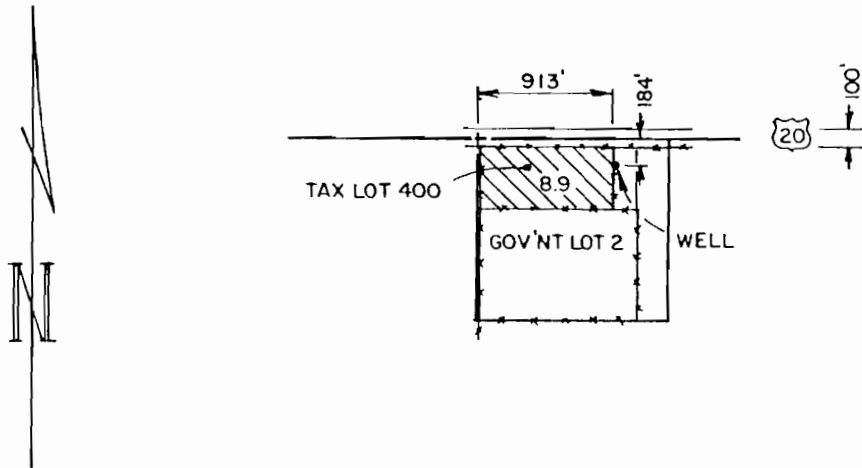
RECEIVED

JUL 15 1996

WATER RESOURCES DEP  
SALEM, OREGON

WATER RESOURCES DEPT.  
SALEM, OREGON

# T23S, R31E, WM



3

THE PURPOSE OF THIS MAP IS TO IDENTIFY THE LOCATION OF THE WATER RIGHT WHICH IS APPLIED TO PROVIDE INFORMATION RELATIVE TO THE LOCATION OF PROPERTY OWNERSHIP.

Application No. G 14348  
Permit No. G13168

ZABALA, PEDRO JR. & TONI

## WATER RIGHT APPLICATION MAP

*Chris Palmer*  
 Surveyor  
 State of Oregon  
 RENEW 1-1-97

Scale: 4" = 1 MILE

Date: JUNE 1996

Job: 1636 A

Dsn:

Drn: CHRIS

Ckd:



M. A. PALMER & SONS, INC.  
ENGINEERING & SURVEYING  
254 N. Alder - Box 61  
Burns, Oregon 97720

Sht. No.

of 1