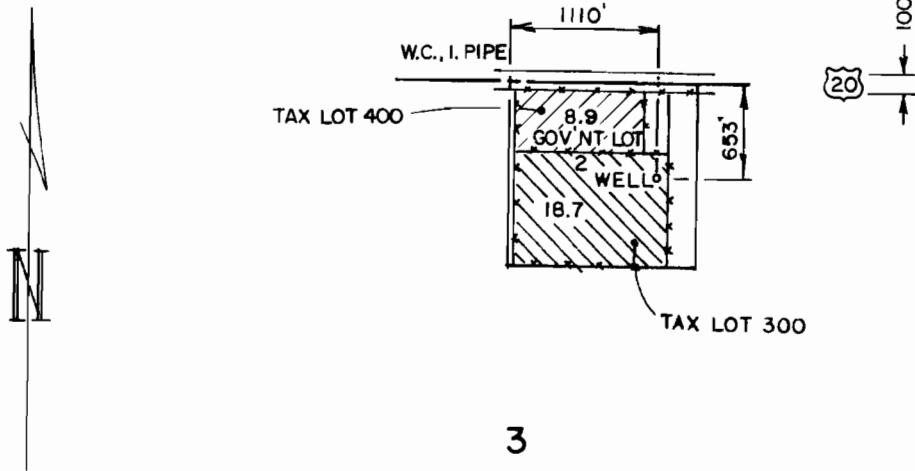


T23S, R 31E, WM



/// PERMIT G-13168 (ZABALA)

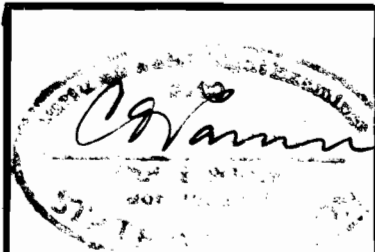
\\ PERMIT G-13204 (AJURIA)

THE PURPOSE OF THIS MAP IS TO IDENTIFY THE LOCATION OF THE WATER RIGHT. IT IS NOT INTENDED TO PROVIDE INFORMATION RELATIVE TO THE LOCATION OF PROPERTY OWNERSHIP.

RECEIVED

DEPT. OF

WATER RESOURCES



RENEW 1-1-2007

FINAL PROOF SURVEY

UNDER APPLICATIONS G-14348 & G-14347
PERMITS G-13168 & G-13204

IN THE NAME OF
PEDRO & TONI ZABALA
IGANICO AJURIA

Scale: 4" = 1 MILE

Date: SEPT. 2006

Job: 1636B-06

Dgn:

Drn: CHRIS

Ckd:



M. A. PALMER & SONS, INC.
ENGINEERING & SURVEYING
254 N. Alder - Box 61
Burns, Oregon 97720

Sht. No.

of 1