

# APPLICATION FOR PERMIT TO APPROPRIATE GROUND WATER

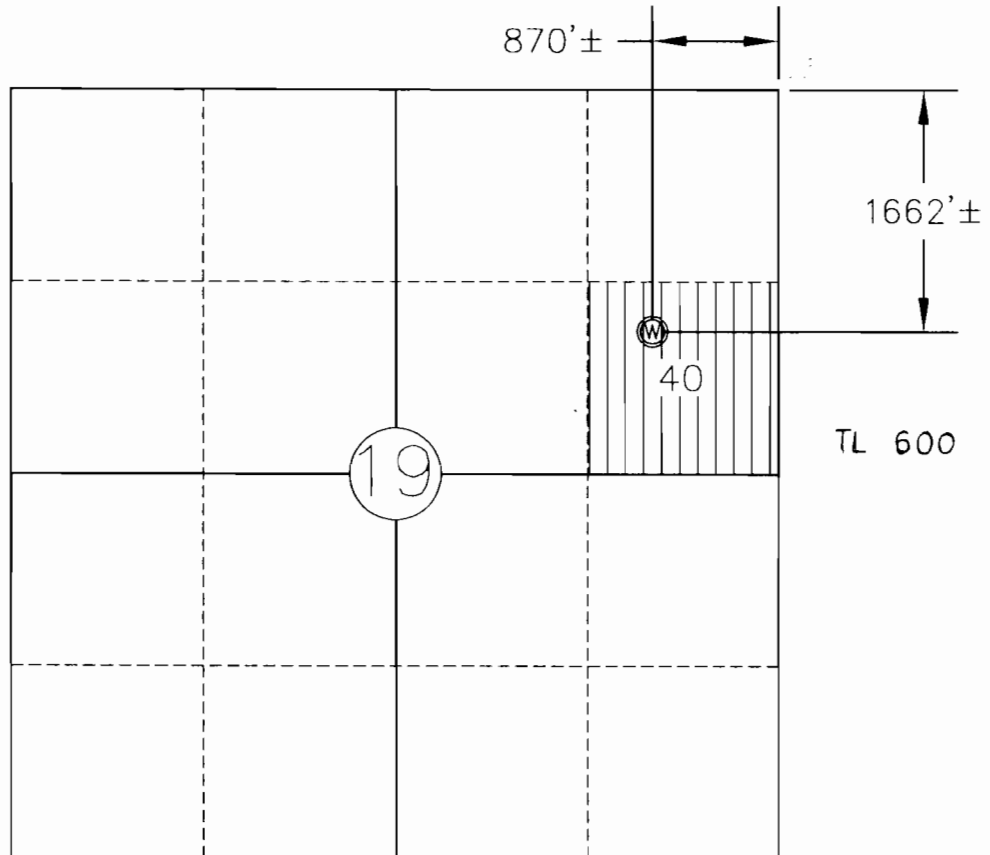
IN THE NAME OF  
**GORDON WEBB**

LOCATED IN THE SE 1/4 NE1/4  
SEC. 19, T.34S., R.09E., W.M.  
KLAMATH COUNTY, OREGON

**RECEIVED**

SEP 26 1996

WATER RESOURCES DEPT  
SALEM, OREGON



SCALE: 1" = 1320'

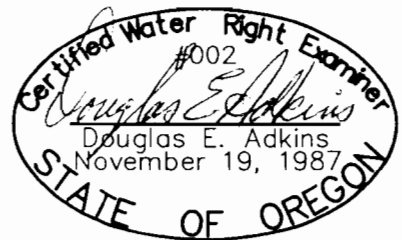


AREA OF USE

40

AREA IN ACRES  
PER 1/4 1/4

THIS MAP IS FOR THE PURPOSE OF  
IDENTIFYING THE LOCATION OF THE  
WATER RIGHT ONLY AND HAS NO  
INTENT TO PROVIDE DIMENSIONS OR  
LOCATION OF PROPERTY LINES.



Permit No. **C-14384**  
Project No. **010070**

Engineers ▲ Planners ▲ Surveyors

2950 Shasta Way • Klamath Falls, Oregon 97603 • (541) 884-4666 • FAX (541) 884-5335

SEPTEMBER 23, 1996

Klamath Falls, OR • Medford, OR • Alturas, CA

JOB No. 1794-01