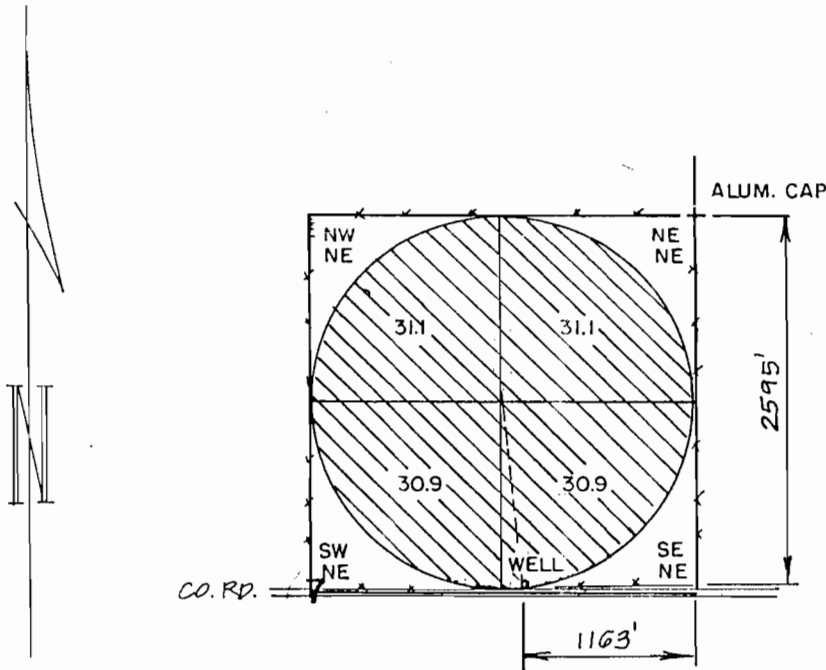


T23 S, R 26 E, WM



T.L. 901
MAP 23 26

RECEIVED

MAR - 6 1998

THE PURPOSE OF THIS MAP IS TO IDENTIFY THE LOCATION OF THE WATER RIGHT. IT IS NOT INTENDED TO PROVIDE INFORMATION RELATIVE TO THE LOCATION OF PROPERTY OWNERSHIP.

Application No. G-14518
Permit No. G-13381

<p>STATE OF OREGON RENEW 1-1-1999</p>			<p>SILVER CREEK CATTLE CO., INC</p> <p>WATER RIGHT APPLICATION MAP</p>		
			Scale: 4" = 1 MILE	Date: MARCH 1997	Job: 1685B
Dgn:	<p>M.A. PALMER & SONS, INC. ENGINEERING & SURVEYING 254 N. Alder - Box 61 Burns, Oregon 97720</p>	Sht. No.			
Drn: CHRIS		/			
Ckd:			of 1		