

Plan No. G 14576

Sheet No. 113455

T 23 S, R 26, WM

RECEIVED

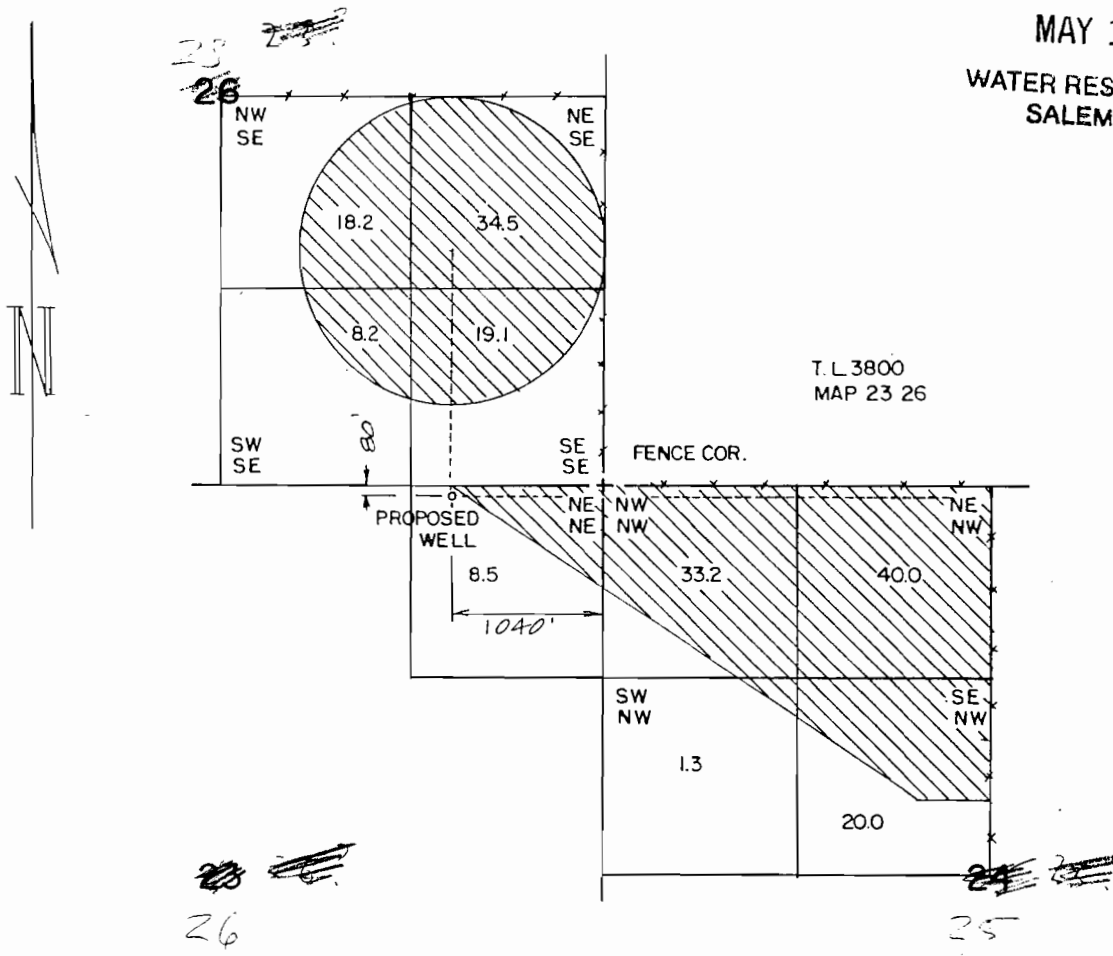
APR 25 1997

WATER RESOURCES DEPT.
SALEM, OREGON

RECEIVED

MAY 12 1997

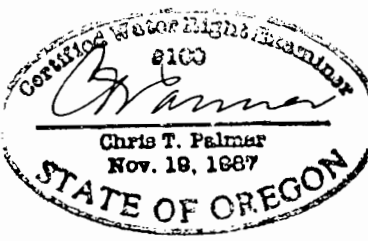
WATER RESOURCES DEPT.
SALEM, OREGON



T.L. 3800
MAP 23 26

THE PURPOSE OF THIS MAP IS TO IDENTIFY THE LOCATION OF THE WATER RIGHT. IT IS NOT INTENDED TO PROVIDE INFORMATION RELATIVE TO THE LOCATION OF PROPERTY OWNERSHIP.

SILVER CREEK CATTLE CO., INC
WATER RIGHT APPLICATION MAP



RENEW 1-1-1999

Scale: 4" = 1 MILE	Date: MARCH 1997	Job: 1685C
Dgn:	M. A. PALMER & SONS, INC. ENGINEERING & SURVEYING 254 N. Alder - Box 61 Burns, Oregon 97720	Sht. No.
Drn: CHRIS		of 1
Ckd:		