

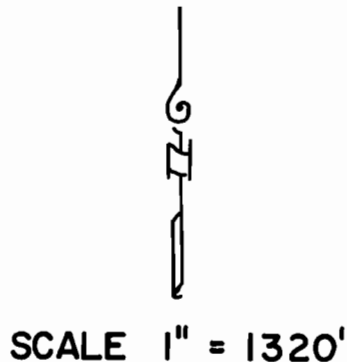
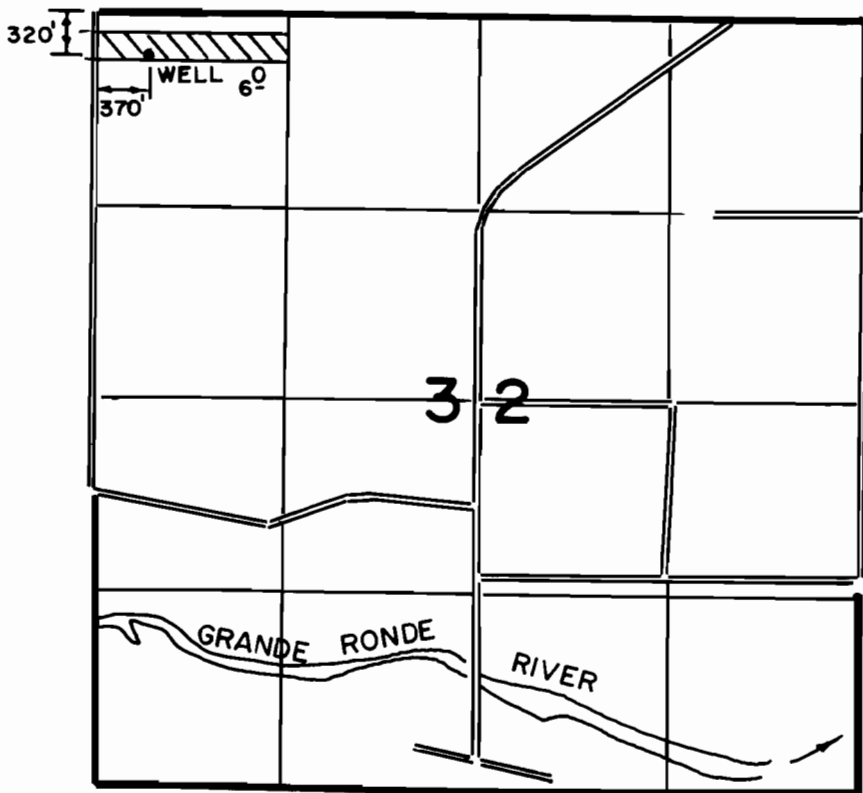
RECEIVED

OCT 29 1999

WATER RESOURCES DEPT.
SALEM, OREGON



T. 2S., R. 38E., W.M.



THE PURPOSE OF THIS MAP IS FOR IDENTIFYING THE LOCATION OF THE WATER RIGHT ONLY AND IS NOT INTENDED TO PROVIDE LEGAL DIMENSIONS OF PROPERTY OWNERSHIP LINES

FINAL PROOF SURVEY
UNDER

APPL. G-14642 PER. G-13534

IN NAME OF

STEPHEN & EVELYN DONNELL

SURVEYED MAY 15, 1999