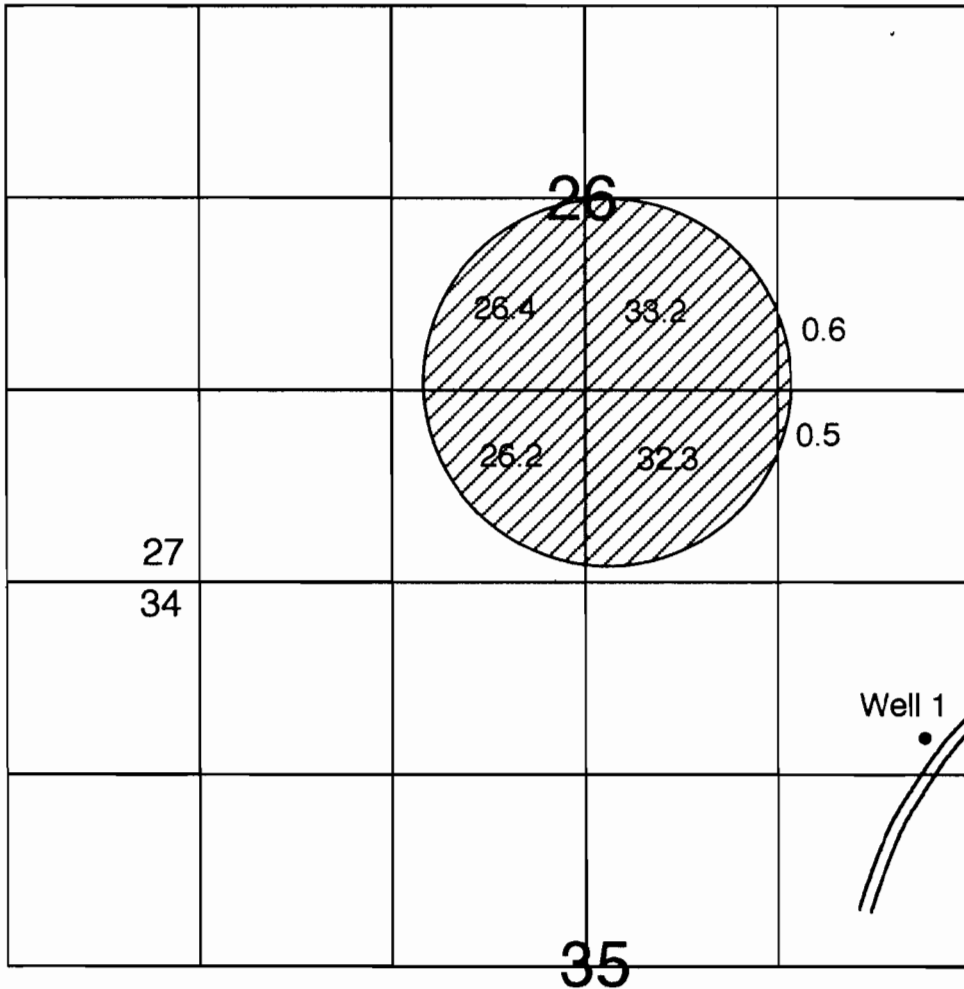


T. 1S., R. 24E., W.M.

MORROW COUNTY


SCALE 1" = 1320'



RECEIVED

AUG 02 2000

WATER RESOURCES DEPT.
SALEM, OREGON

 G-4592

Application No. G/15198
Permit No. 9 13962

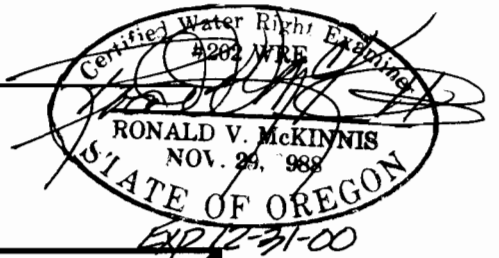
Well 1 Loc. 1050' South & 210' West of NE Corner Section 35



WATER RIGHTS APPLICATION MAP
Water Rights Applied for at This Location
IN NAME OF

Marvin Padberg

THIS MAP IS FOR THE PURPOSE
OF IDENTIFYING THE LOCATION
OF WATER RIGHTS ONLY AND IS
NOT INTENDED TO PROVIDE THE
LEGAL DIMENSIONS OR LOCATIONS
OF PROPERTY OWNERSHIP LINES.



ENGINEERING - LAND SURVEYING - WATER RIGHTS
R. V. McKINNIS ENGINEERING



79980 Prindle Loop Road
Hermiston, Oregon 97838
(541) -567-2017

