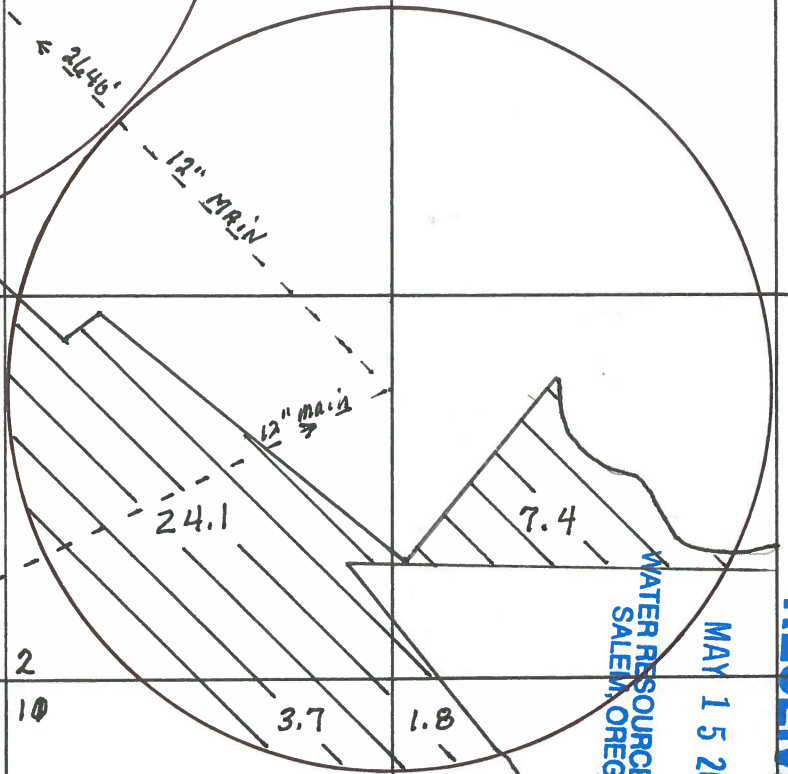
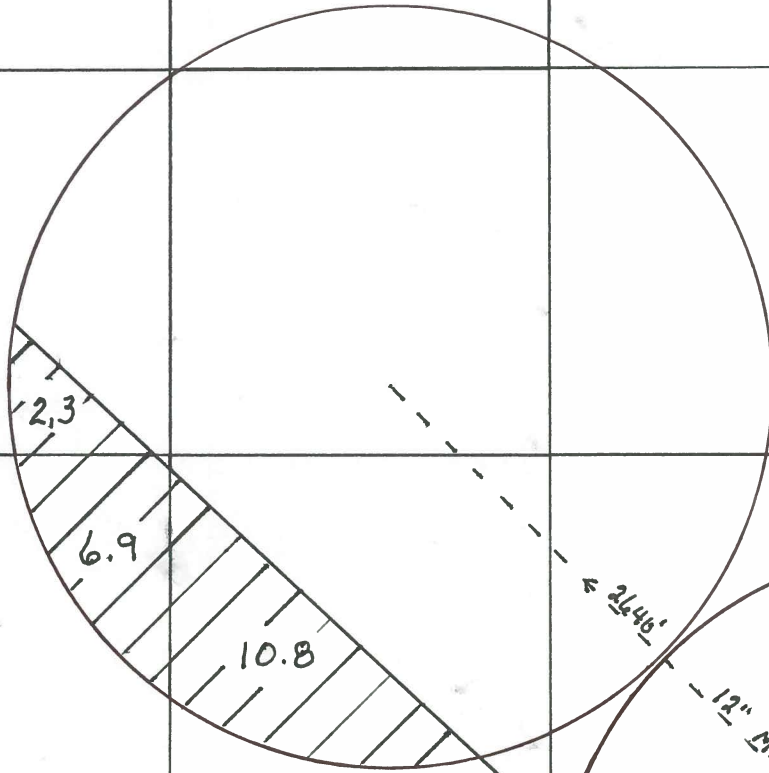


Application No. G15168
Permit No. G-15158

TL-300

Sheet 1 of 3

T-24-S R-27-E

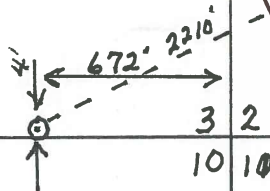


Supplemental →

Primary →

1" = 660'

UPPER
DAM
Well



WATER RESOURCES DEPT.
SALEM, OREGON

MAY 15 2000

RECEIVED

2

TL 600

T-24-5

Sheet 3 of 3

R-27-E
R-28-E

12

13

12

7

TL-300

13

18

RECEIVED

Application No. 615168

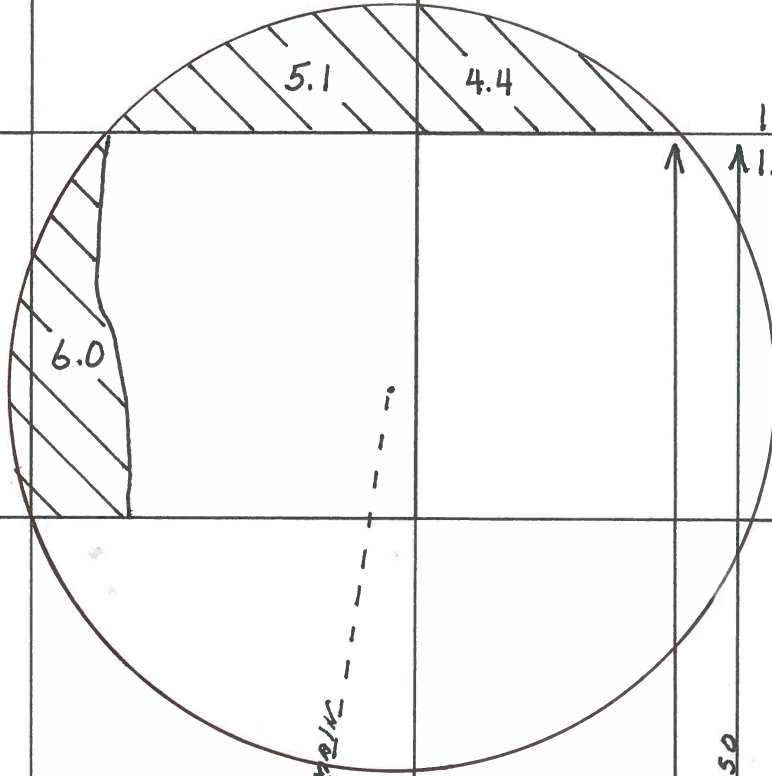
Permit No. 6-15158

MAY 15 2000

WATER RESOURCES DEPT.
SALEM, OREGON



.7



TL 200

40.0

4650

Primary →

SANDER WELL

2310'



1710'

12" MAIN

1" = 660'

3260'

150'



Pivot Well

RECEIVED

MAY 15 2000

WATER RESOURCES DEPT.
SALEM, OREGON

TL 300

Sheet 2 of 3



1" = 660'

T-24-S R-27-E

9.8

8" MAIN - 2508'

Primary

10.0

1720'

Middle Well

1465'

15

13.6

10.0

12" Main

5742'

1082'

Application No G15168
Permit No. G-15158

24.6

34.8

34.0

1280'

20'

2541'

Dusenbery well

20'

1090'

1082' N' 1/2 W 1/4

check 7