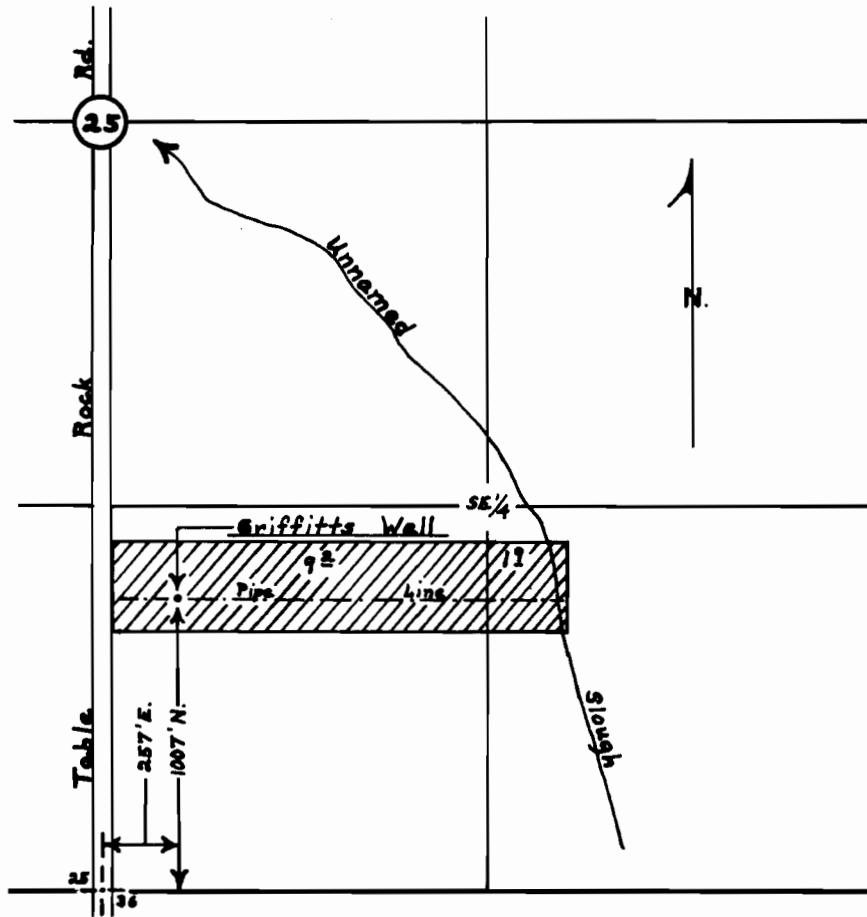


T. 36 S., R. 2 W., W.M.



Application No G-1731
Forest No G-1584

Application map for Ebron E. Griffitts

April 19, 1960 Scale: 8 inches = 1 mile

Map prepared by David C. Hendrix