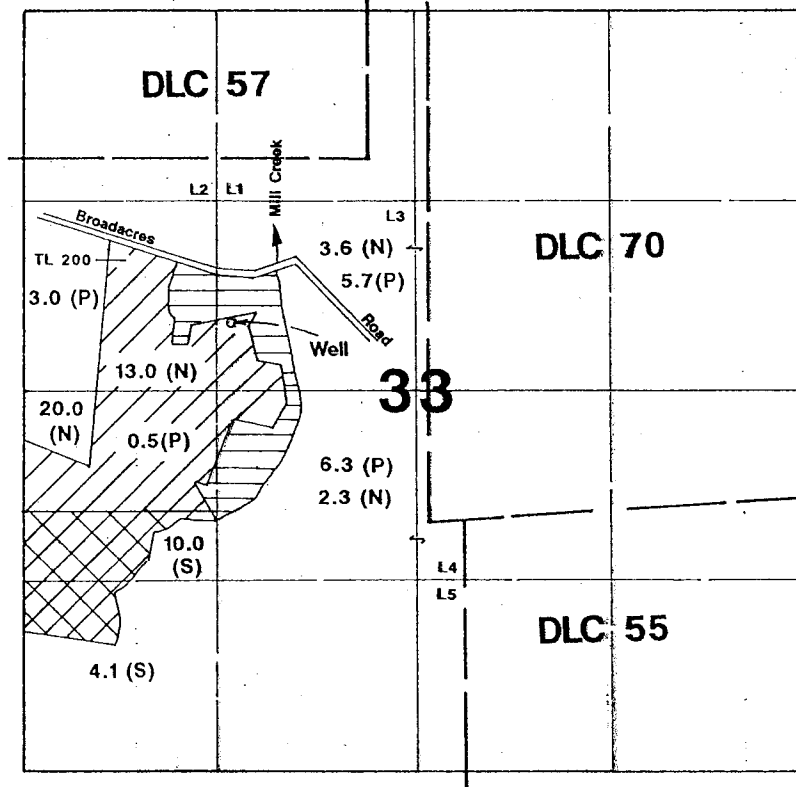
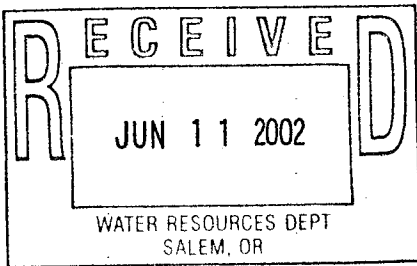


T.4S., R.1W., W.M



Well located 1350'N & 1340'W from SW corner DLC 70.



Application Map

Alice Engelman

Application #: *G-15775* Permit #:

This Map Was Prepared For The Purpose Of Identifying The Location Of A Water Right Only And Is Not Intended To Provide Legal Dimensions Or Location Of Property Ownership Lines.

app # G-15775
Permit #

