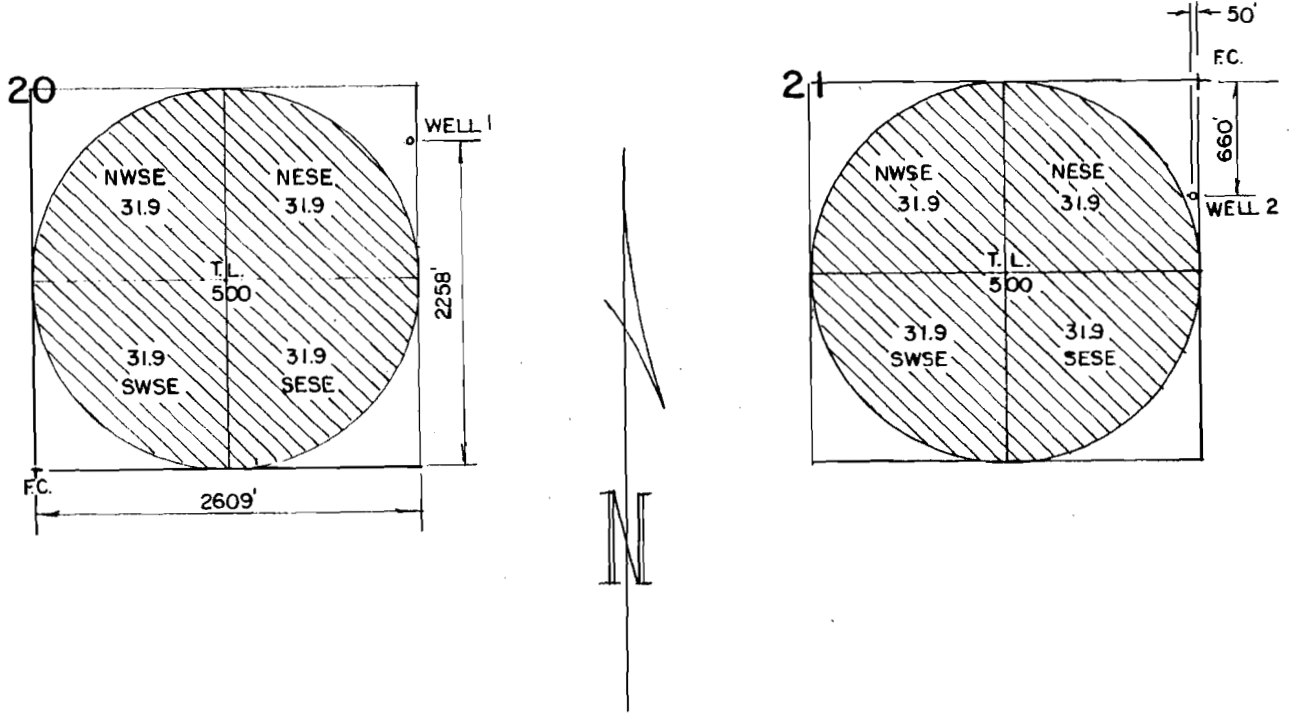


T 24 S, R 32-1/2 E, WM

RECEIVED

FEB 23 2005

WATER RESOURCES DEPT
SALEM, OREGON



THE PURPOSE OF THIS MAP IS TO
IDENTIFY THE LOCATION OF THE
WATER RIGHT. IT IS NOT INTENDED
TO PROVIDE INFORMATION RELATIVE
TO THE LOCATION OF PROPERTY
OWNERSHIP.

RECEIVED

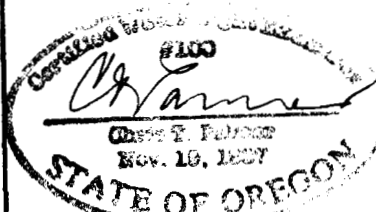
MAR 10 2005

WATER RESOURCES DEPT
SALEM, OREGON

app # G 16411

VERNON COX

WATER RIGHT APPLICATION MAP



RENEW 1-1-2007

Scale: 4" = 1 MILE
Dsn:
Drn: CHRIS
Ckd:

Date: JAN. 2005
MAP's
M.A. PALMER & SONS, INC.
ENGINEERING & SURVEYING
711 Ponderosa Village • Box 61
Burns, Oregon 97720

Job: 2234
Sht. No.
of 1