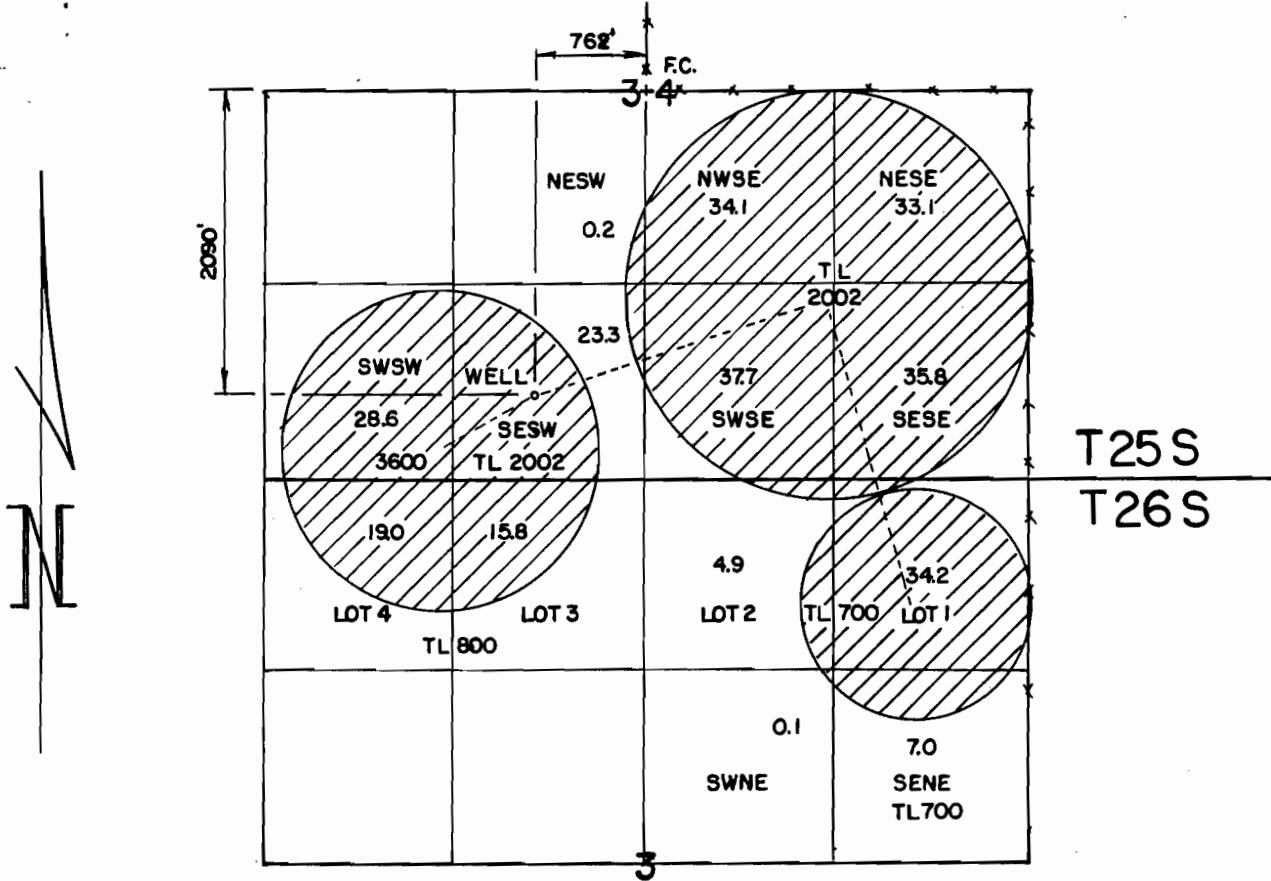


RECEIVED

FEB 13 2006

WATER RESOURCES DEPT
SALEM, OREGON

T25 S,
T26 S, R 30 E, WM



THE PURPOSE OF THIS MAP IS TO
IDENTIFY THE LOCATION OF THE
WATER RIGHT. IT IS NOT INTENDED
TO PROVIDE INFORMATION RELATIVE
TO THE LOCATION OF PROPERTY
OWNERSHIP.

2ppno G-16626

	RATTLESNAKE CREEK LAND & CATTLE CO		WATER RIGHT APPLICATION MAP	
	Scale: 4" = 1 MILE	Date: FEB 2006	Job: 2058-06	
	Dsn:		Sht. No.	
	Dm: CHRIS		of 1	
Ckd:	M.A. PALMER & SONS, INC. ENGINEERING & SURVEYING 711 Ponderosa Village • Box 61 Burns, Oregon 97720			