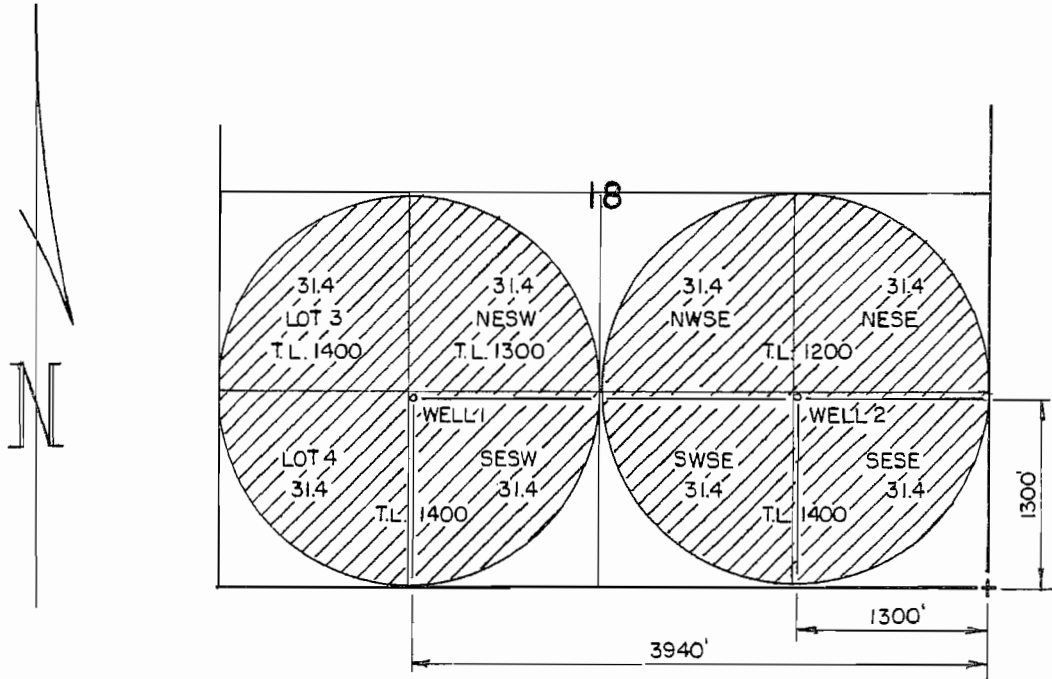


T23S, R33E, WM



THE PURPOSE OF THIS MAP IS TO IDENTIFY THE LOCATION OF THE WATER RIGHT. IT IS NOT INTENDED TO PROVIDE INFORMATION RELATIVE TO THE LOCATION OF PROPERTY OWNERSHIP.

RECEIVED

MAY 27 2008

WATER RESOURCES DEPT.
SALEM, OREGON

App No G-17061



RENEW 1-1-2009

Don Nienke

WATER RIGHT APPLICATION MAP

Scale: 4" = 1 MILE

Date: FEB 2008

Job: 2475

Dsn:

Drn: CHRIS

Ckd:



M.A. PALMER & SONS, INC.
ENGINEERING & SURVEYING
711 Ponderosa Village • Box 61
Burns, Oregon 97720

Sht. No.

of 1