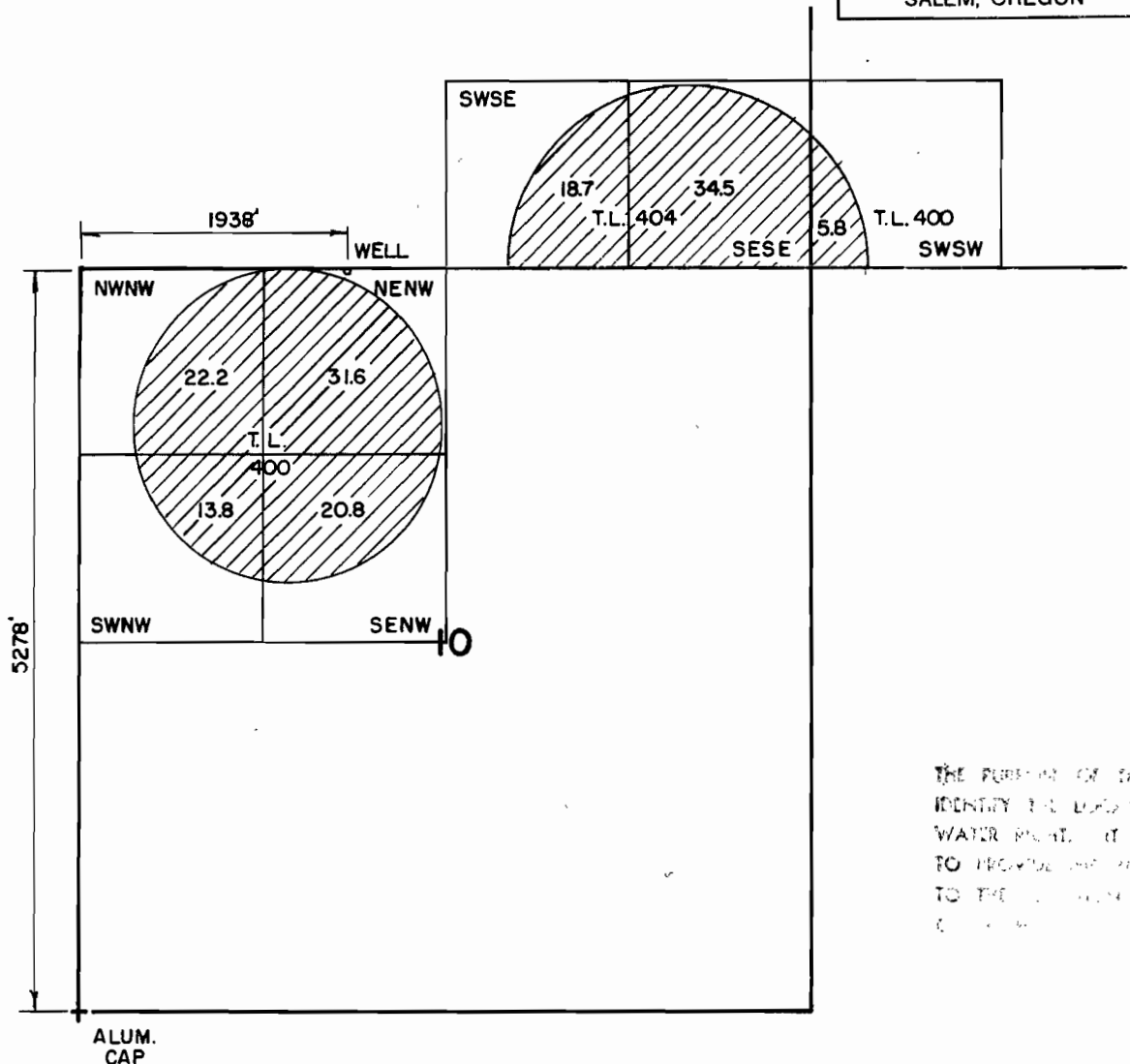


T23 S, R 25 E, WM

3

RECEIVED
FEB 13 2006
WATER RESOURCES DEPT
SALEM, OREGON

2



THE PURPOSE OF THIS MAP IS TO
IDENTIFY THE LOCATION OF THE
WATER RIGHT. IT IS NOT INTENDED
TO PROVIDE ANY INFORMATION
RELATIVE
TO THE LOCATION OF PROPERTY

appno G-16625

	SILVER CREEK RANCHES OF OREGON, LLC		
	WATER RIGHT APPLICATION MAP		
	Scale: 4" = 1 MILE	Date: DEC. 2005	Job: 2259-05
	Dsn:		Sht. No.
Drn: CHRIS	of 1		
Ckd:	M.A. PALMER & SONS, INC. ENGINEERING & SURVEYING 711 Penderosa Village • Box 61 Burns, Oregon 97720		