

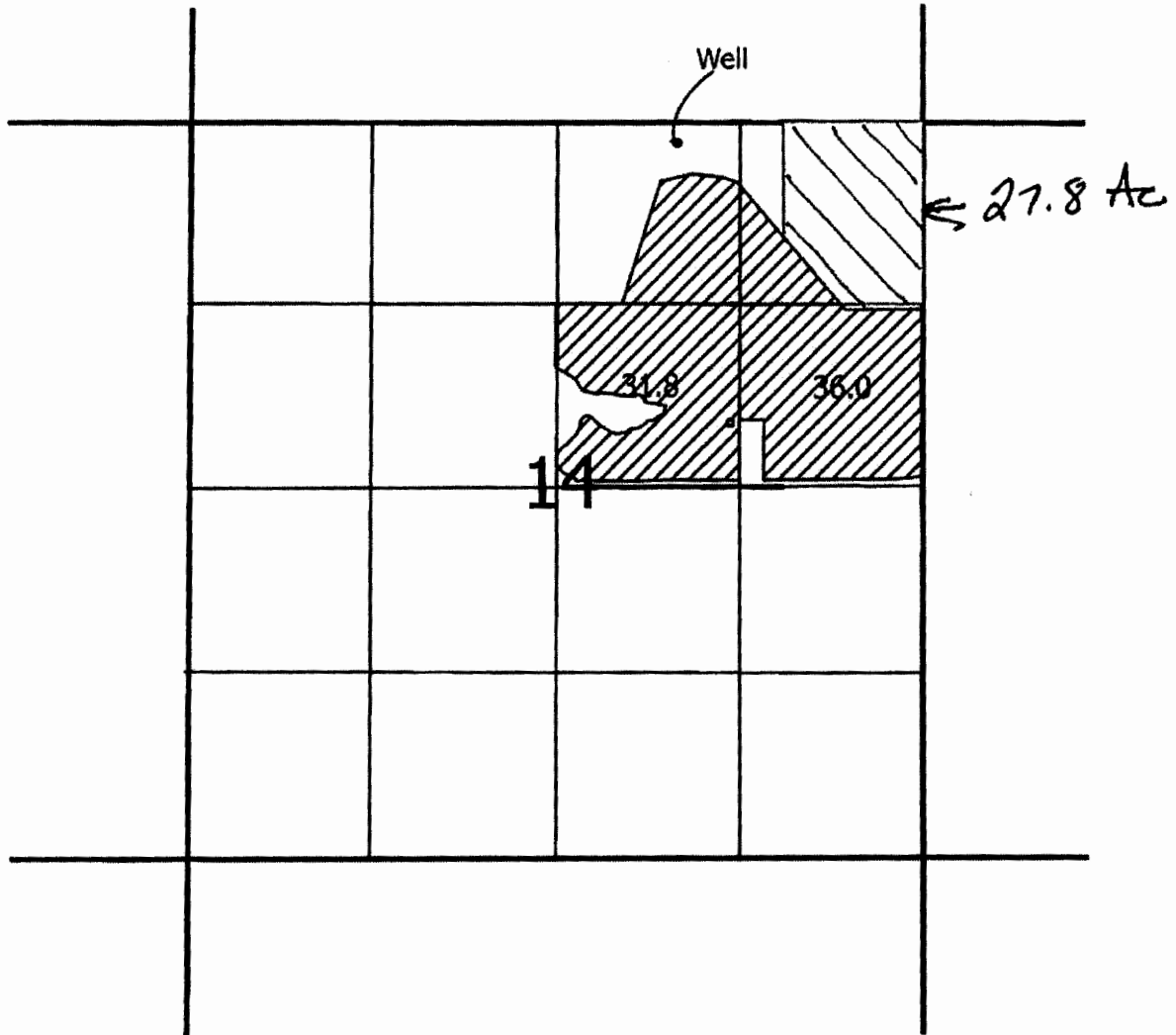
RECEIVED

JAN 22 2016

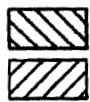
James Votto

WATER RESOURCES DEPT  
SALEM, OREGON

39 S 19 E



Well is located 1850 ft. west and 132 ft. south of  
the NE quarter corner of section 14 T.39 S. R. 19 E.



Primary

Supplimental - To be removed from application  
MAP 4/11/16



1 inch = 1,320 feet