

G-4893

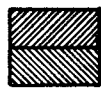
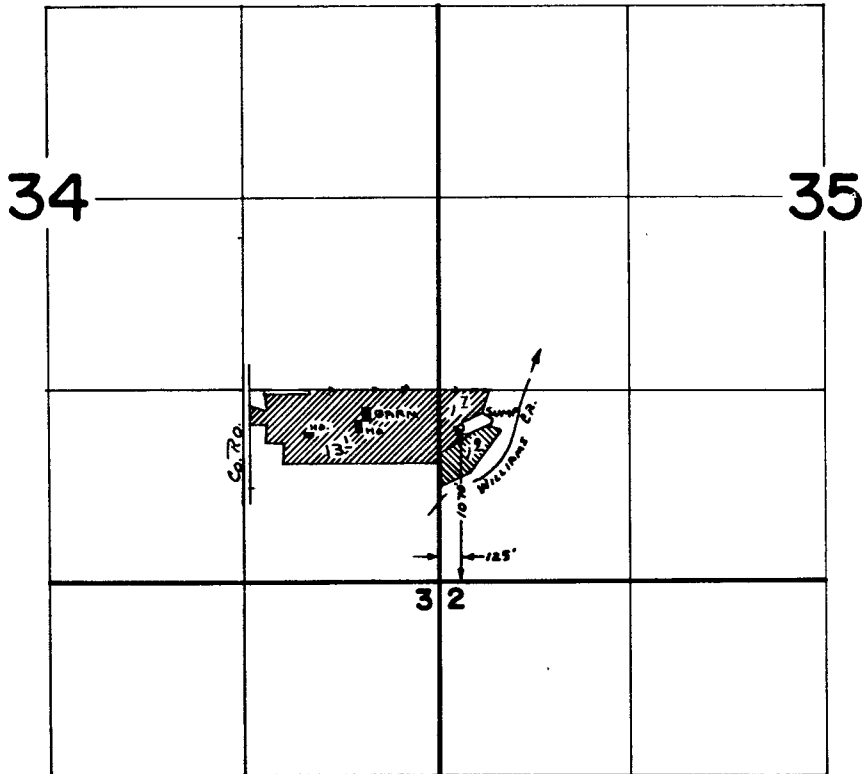
T.38S.,R.5W.,W.M.

RECEIVED

NOV 24 1976

W.M. DIST. 14
GRANTS PASS, OREG.

34 5-3
35



PRIMARY IRRIGATION
 SUPPLEMENTAL IRRIGATION

FINAL PROOF SURVEY
 UNDER

Application No. G-5161... Permit No. G-4893...
 IN NAME OF

.....CLEO B. REEL.....

Surveyed SEPT. 19. 1974, by L. TOLL.....