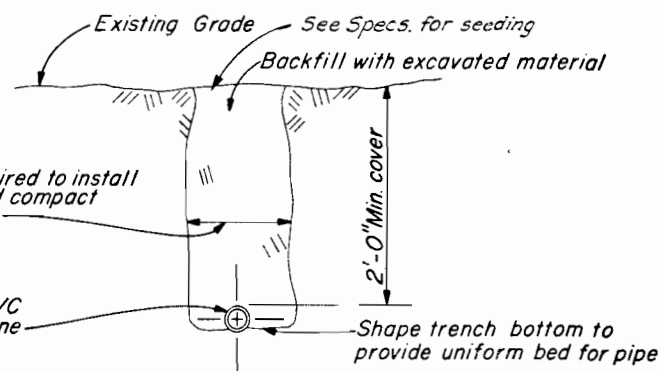


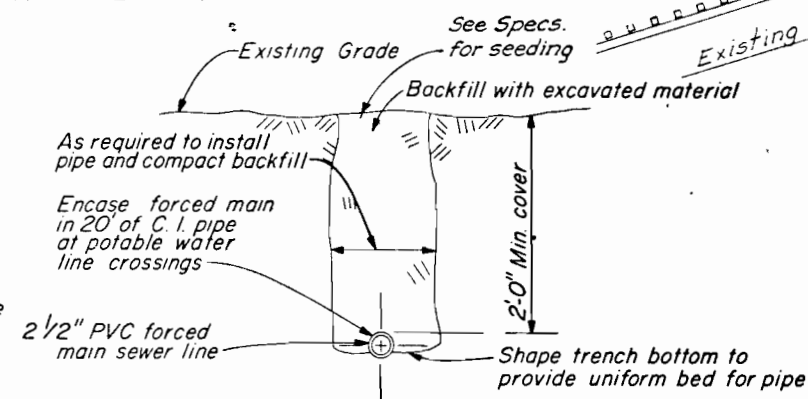
LOG OF EXISTING WELL

0	Silt, sand and gravel
15	Silt & boulders
23	Static water level
30	Silt, sand, boulders and water
40	Silt
49	Silt & boulders
57	Lapilli tuff, soft
75	Lapilli tuff, soft to moderately hard
98	Water zone, depth 98' to 120'
117	Casing shoe
120	Lapilli tuff, moderately hard
150	

LOG OF EXISTING WELL

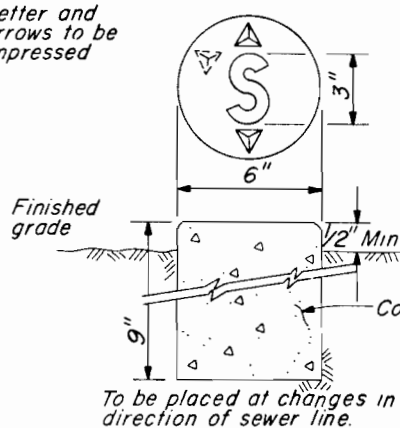


TYPICAL WATER LINE TRENCH DETAIL



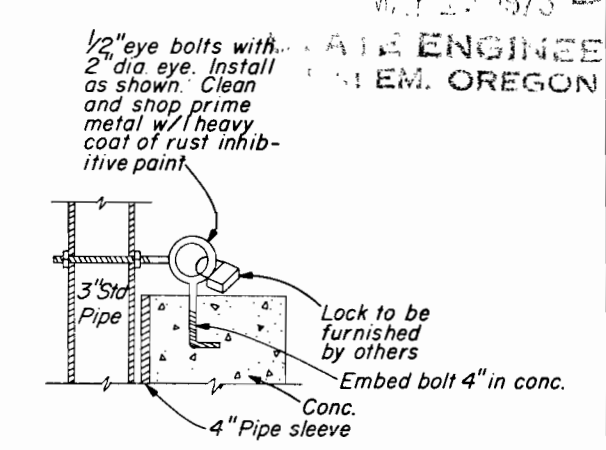
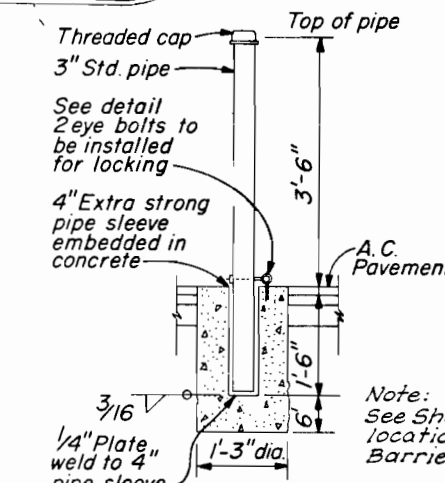
TYPICAL SEWER TRENCH DETAIL

Letter and arrows to be impressed

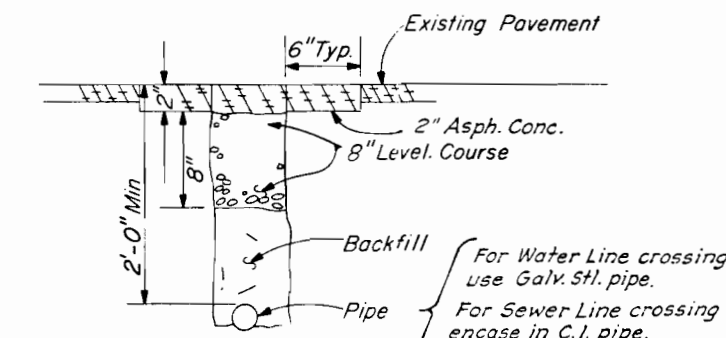


SEWER LINE MARKER

WINBERRY CR. PARK



NOTE: THIS AREA SHALL BE CLEARED, GRUBBED AND GRADED UNIFORMLY BEFORE CONSTRUCTING DRAIN FIELD.

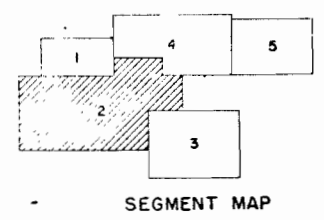
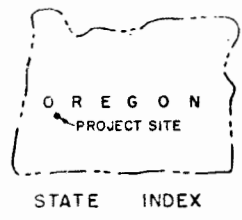
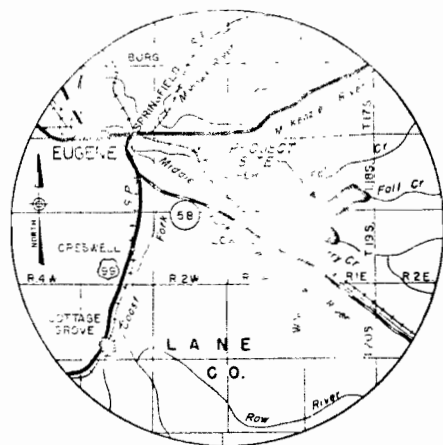


TYPICAL PAVEMENT REPAIR DETAIL

RECEIVED MAY 27 1973

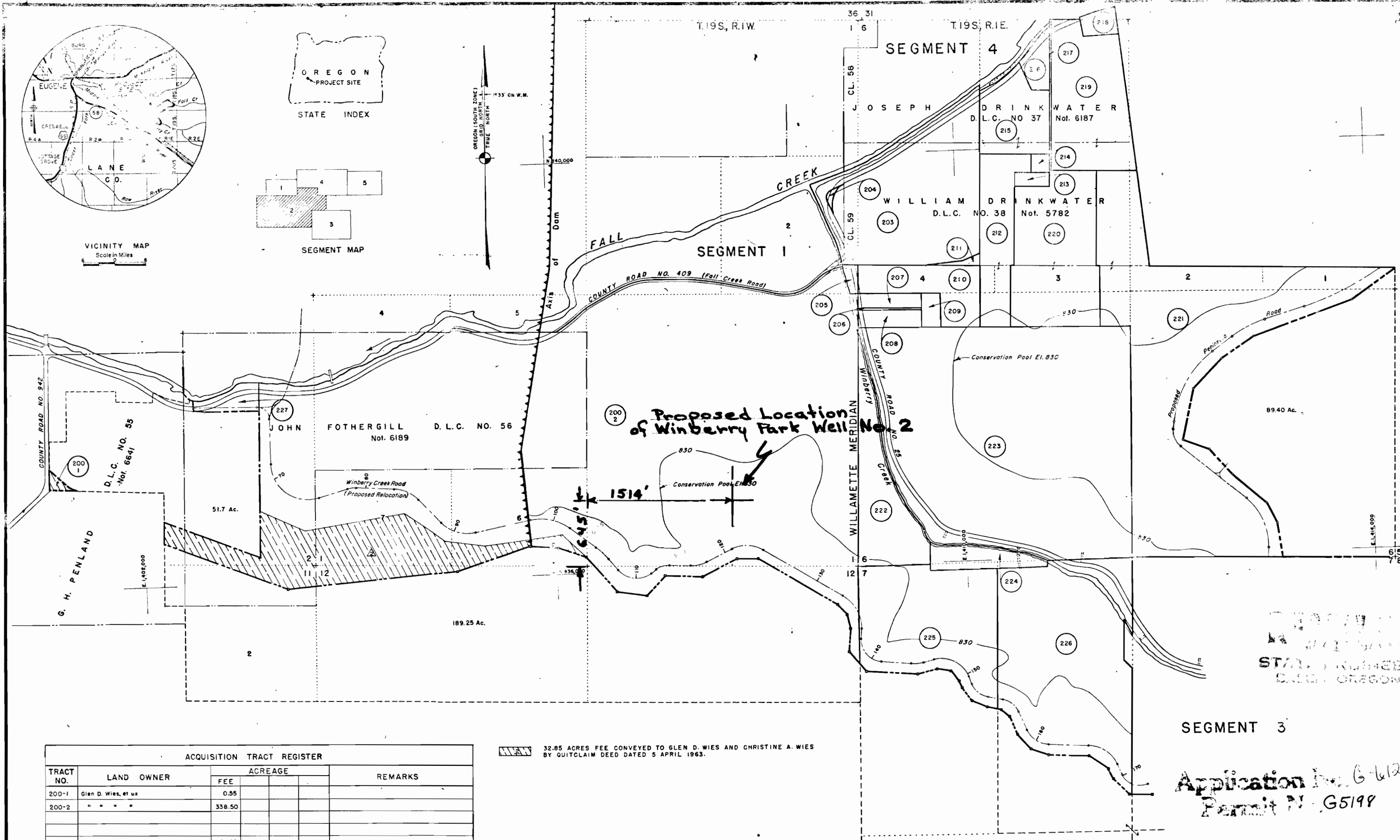
To accompany "Application for Permit to appropriate Ground Water" dtd May 73

U. S. ARMY ENGINEER DISTRICT, PORTLAND	
DESIGNED: J. Sturgill	WILLAMETTE RIVER BASIN, OREGON FALL CREEK
DRAWN: M. Baldr, L. Berg	FALL CREEK LAKE RECREATION FACILITIES SEWERAGE SYSTEM AND DOMESTIC WATER PLAN & DETAILS
CHECKED: D. Dufur	
PREPARED: [Signature]	SUBMITTED: [Signature] DATE: 73 Apr. 12
SUPERVISED: [Signature]	CHIEF, DISTRICT BRANCH
SHEET 4 FL-40-3/4	



VICINITY MAP
Scale in Miles

SEGMENT MAP



FINAL

PROJECT MAP

OF THE ARMY
USING SERVICE CORPS OF ENGINEERS

LOCATION OF PROJECT

STATE OREGON
COUNTY LANE
DIVISION NORTH PACIFIC
DISTRICT PORTLAND
ARMY AREA SIXTH
18 MILES SE OF EUGENE
MILES OF

TRANSPORTATION FACILITIES

RAILROADS S.P.
STATE ROADS 58
FEDERAL ROADS 99
AIR LINES

ACQUISITION

TOTAL ACRES ACQUIRED

FEE _____
PUBLIC DOMAIN PERM. WITHDRAWAL _____
TEMP. WITHDRAWAL _____

USE PERMIT _____
TRANSFER _____
LEASE _____
LESSER INTERESTS _____

DISPOSAL

TOTAL ACRES DISPOSED OF

SOLD _____
PUBLIC DOMAIN PERM. WITHDRAWAL _____
TEMP. WITHDRAWAL _____

USE PERMIT _____
TRANSFERRED _____
LEASES TERMINATED _____
LESSER INTERESTS TERM. _____
REASSIGNED _____
OTHER _____

RECEIVED
STATE ENGINEER
CLARENCE OREGON

Application No. G-6124
Permit No. G5199

32.85 ACRES FEE CONVEYED TO GLEN D. WIES AND CHRISTINE A. WIES BY QUITCLAIM DEED DATED 5 APRIL 1963.

Note: The boundary of this project was compiled from actual survey, deed descriptions, and General Land Office plats.

ACQUISITION TRACT REGISTER				
TRACT NO.	LAND OWNER	ACREAGE		REMARKS
		FEE	LEASE	
200-1	Glen D. Wies, et ux	0.55		
200-2	" " " "	338.50		
203	Foy M. Edwards, et vir	41.60		
204	Lane County, Oregon	0.31		
205	Zetta Willis, et al	0.75		
206	Lane County, Oregon	0.22		
207	Cora E. Vaughan and Roy M. Vaughan	2.04		
208	Paul Dean Vaughan, et ux	2.37		
209	Roy M. Vaughan	1.42		
210	Andrew J. Cook, et ux	10.36		
211	Helen Sterling, et vir	0.52		
212	Sandra Lee Hadley, et vir	13.07		
213	Charles W. Schickling, et ux	1.04		
214	Jess Walker	0.73		
215	Harry Wesley Wenick, et ux	10.84		
216	Raymond Herbert Weiss, et al	2.80		
217	Raymond C. Vaughan, et ux	0.44		
218	James L. Vaughan, et ux	1.90		
219	Jess Walker	24.31		
220	T. C. Andersen, et al	27.87		
221	Mooney Bros Lumber Co.	92.30		
222	Claude H. Parks, et ux	16.36		
223	Wilbur A. Carter	120.00		

ACQUISITION TRACT REGISTER				
TRACT NO.	LAND OWNER	ACREAGE		REMARKS
		FEE	LEASE	
224	Carlton F. Walsh, et ux	5.26		
225	Cecil Olen Brougner, et ux	33.30		
226	Dorothy M. Brougner, et vir	56.00		
227	Glen D. Wies, et ux	2.82		

ACQUISITION AUTHORIZATION
Public Law No 516 dated 17 May 1950
Revised O.C.E. to N.R.D., dated 20 Sept. 1961

SEGMENT 2

DEPARTMENT OF THE ARMY
OFFICE OF THE PORTLAND DISTRICT ENGINEER
NORTH PACIFIC DIVISION

REAL ESTATE
WILLAMETTE RIVER BASIN, OREGON
FALL CREEK
FALL CREEK RESERVOIR
Winberry Park Well #2

DATE: 19 October 1962

SCALE IN FEET: 400' = 1" (1:400)

PROJECT NO. PORT-2-007