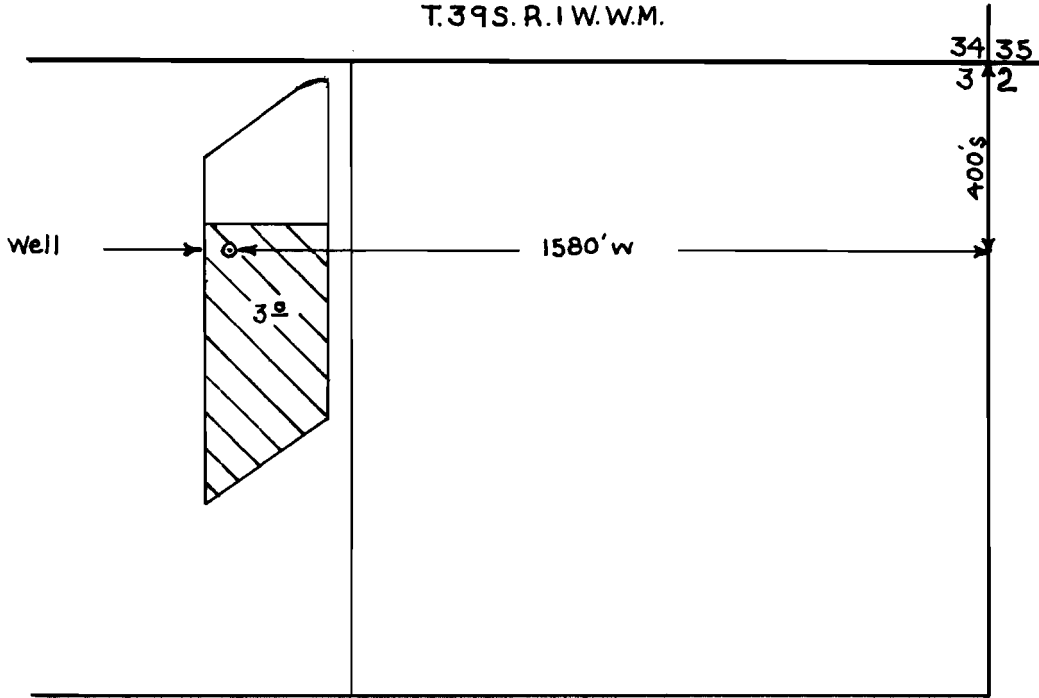
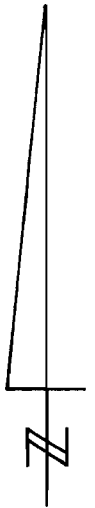


T.39S.R.1W.W.M.



Application map for David Ullom
for suppl. irrigation

Scale 1"=400'



Application No. G-5741
Permit No. G-5530