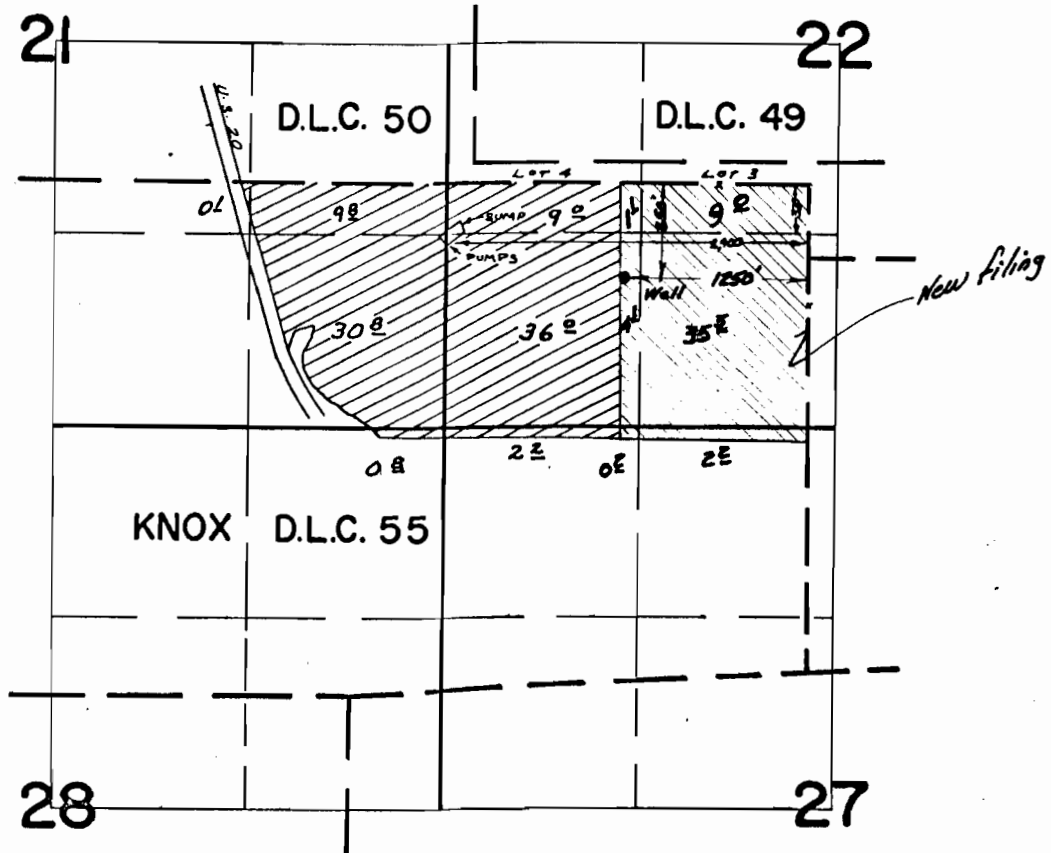


Application No. G-5776
Permit No. G 5552

T.I.S.R.2W.W.M.



FINAL PROOF SURVEY
UNDER

Application No. ~~G-5776~~ Permit No. ~~G-5552~~
IN NAME OF

JAMES W. OR MARIE T. HICKEY...

Surveyed ~~JULY 3, 1969~~ by ~~W. RUPPERT~~
~~SEPT. 10, 1971~~ ~~R. MUCKEN~~