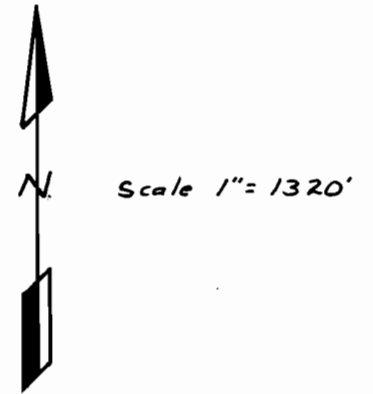
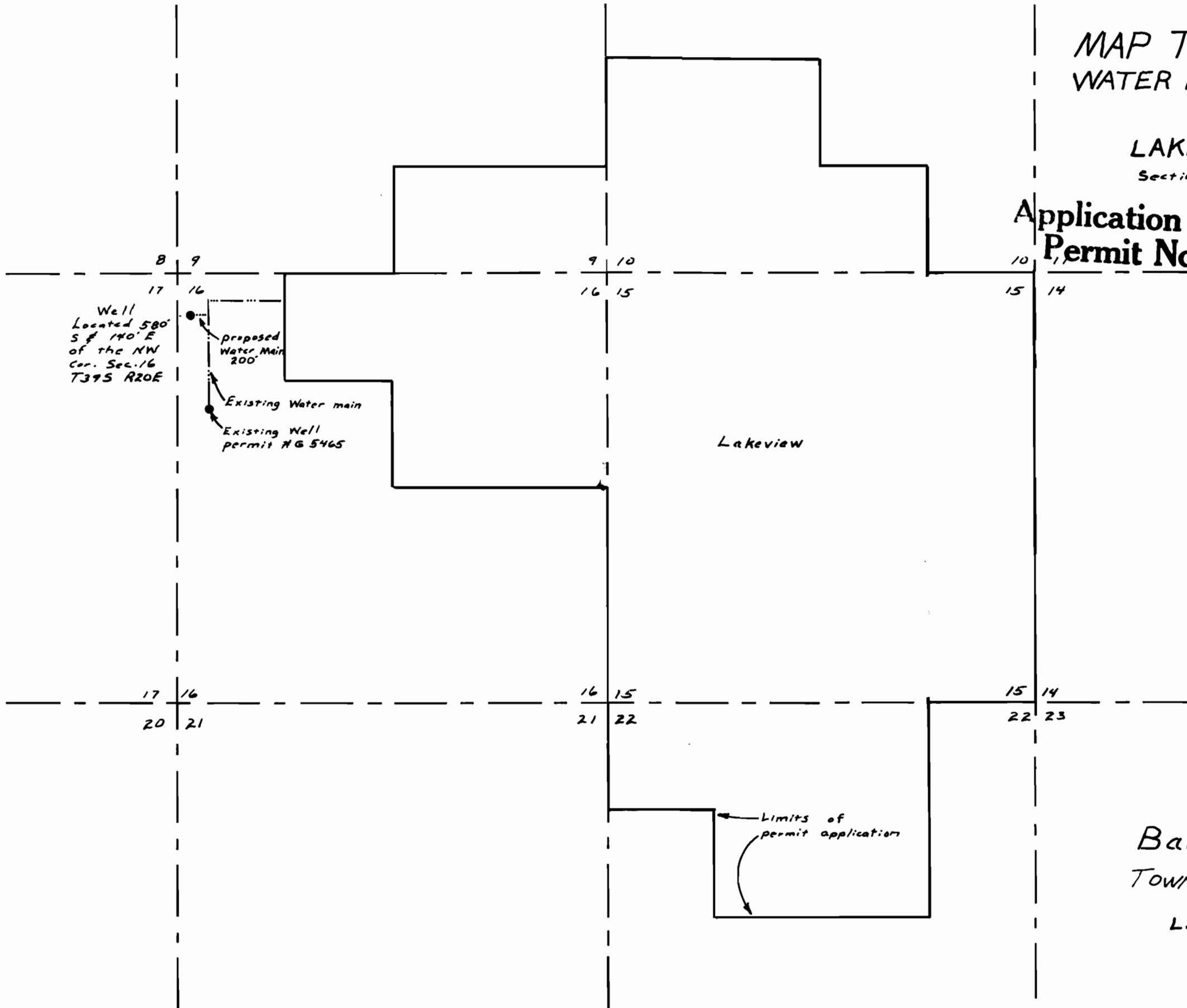


MAP TO ACCOMPANY
WATER RIGHT APPLICATION

For
LAKEVIEW OREGON
Section 16 T39S R20EWM

Application No. G-8130
Permit No. G 7503



Barry F. Norris
TOWN Engineer

Lakeview Oregon
May 1977