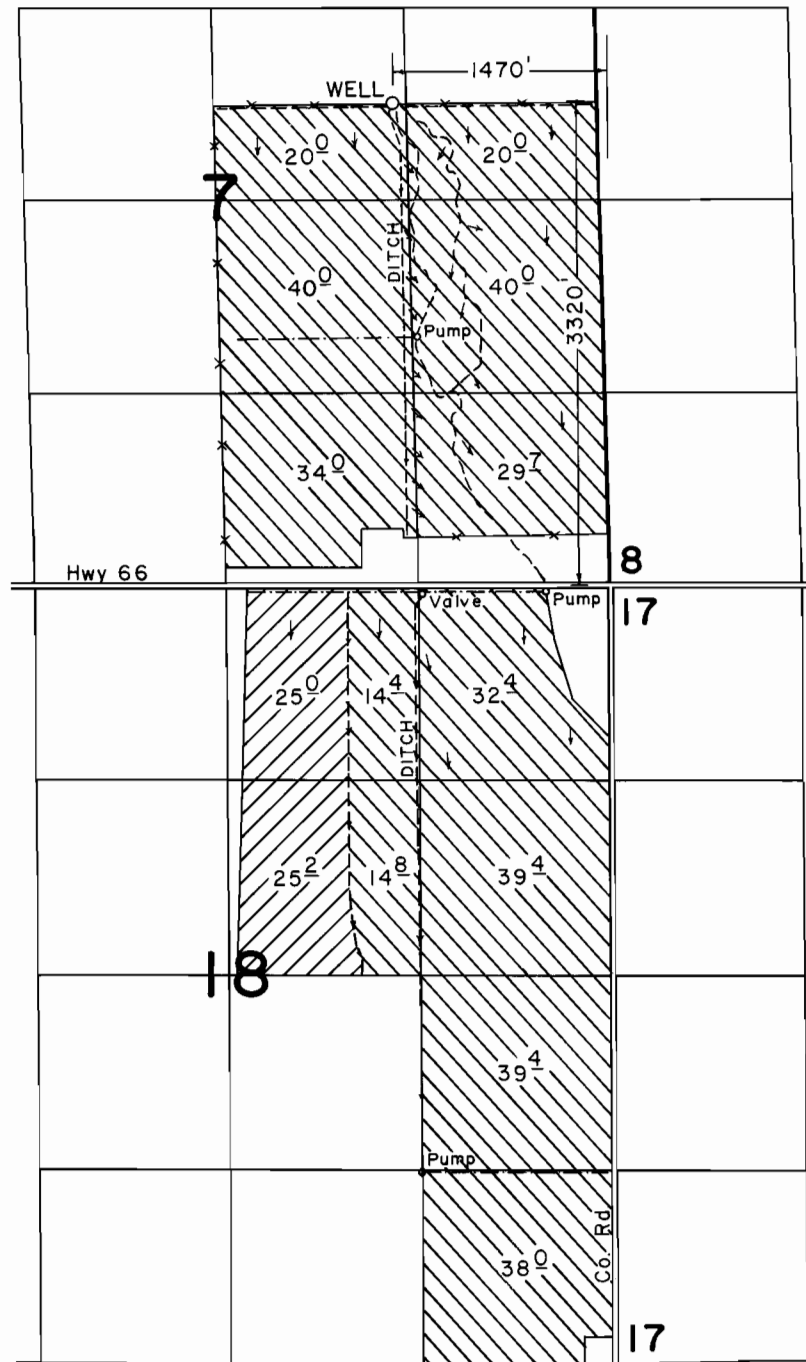


T. 39 S., R. 20 E., W.M.



SCALE: 1" = 1320'



FINAL PROOF SURVEY
UNDER

Primary

Application No. G-8536 Permit No. G-7922... Suppl'

IN NAME OF

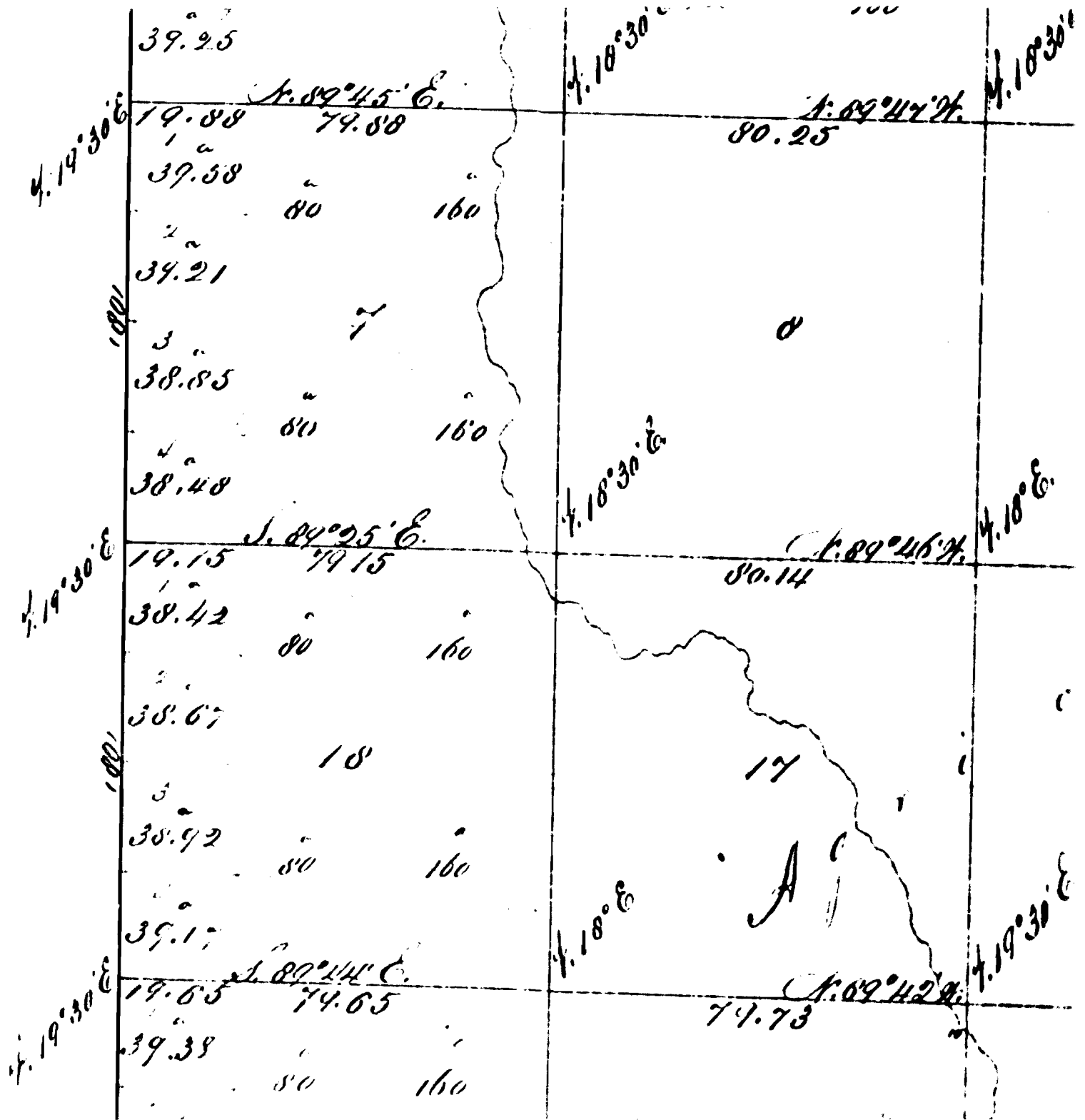
DONALD O. & ORLO M. SHULLANBERGER

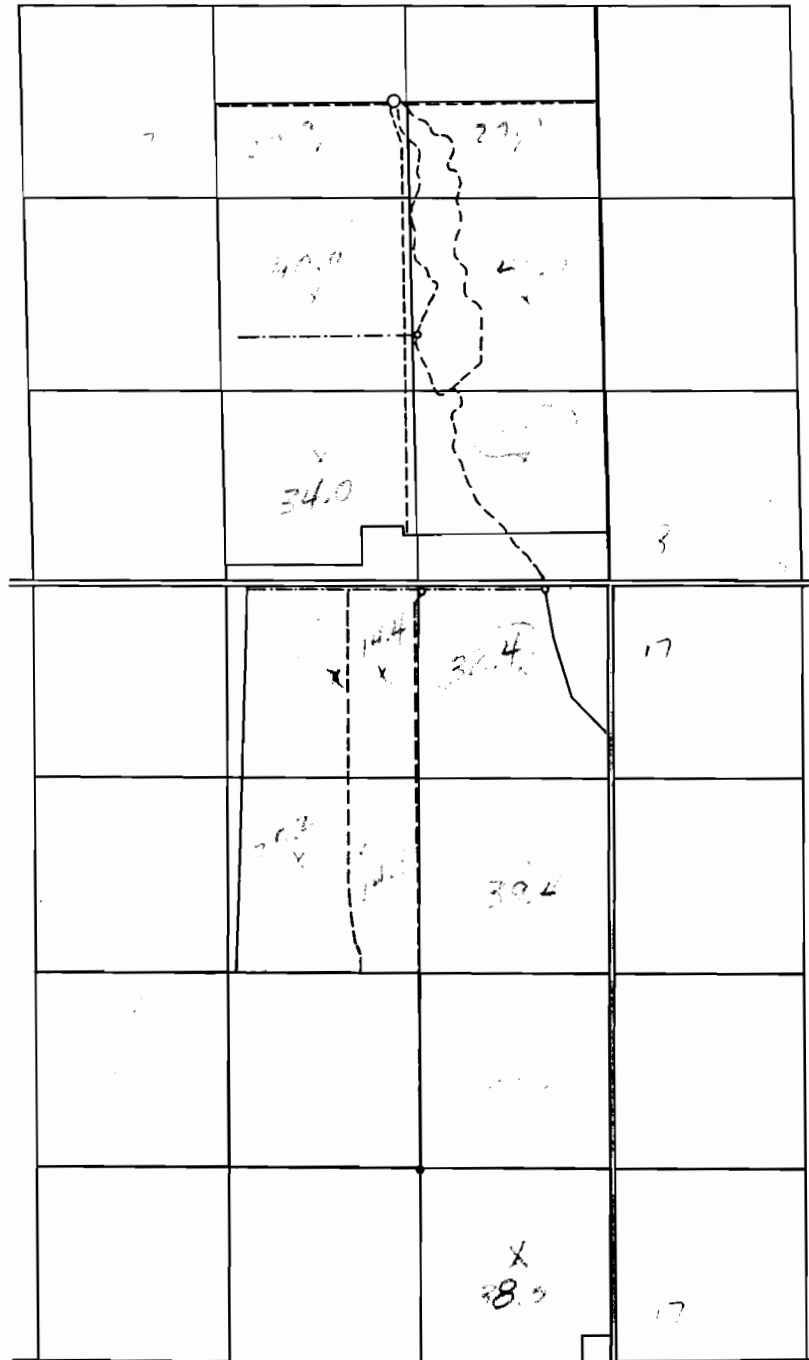
Surveyed AUG. 16. 1989, by B. W. BISHOP...

3-8-89
41037-379-71C

Notes

- 639.72
- 640.50
- 639.40
- 639.60
- 641.36
- 631.92
- 636.12
- 640.00
- 640.00
- 640.00
- 640.00
- 640.00
- 640.00
- 640.00
- 640.00
- 640.00
- 640.00
- 633.18
- 638.58
- 640.00
- 640.00
- 640.00
- 640.00
- 640.00
- 640.00
- 326.85
- 69.55
- 370.50
- 600.00
- 85.34
- 137.45
- 640.00
- 640.00
- 19441.62



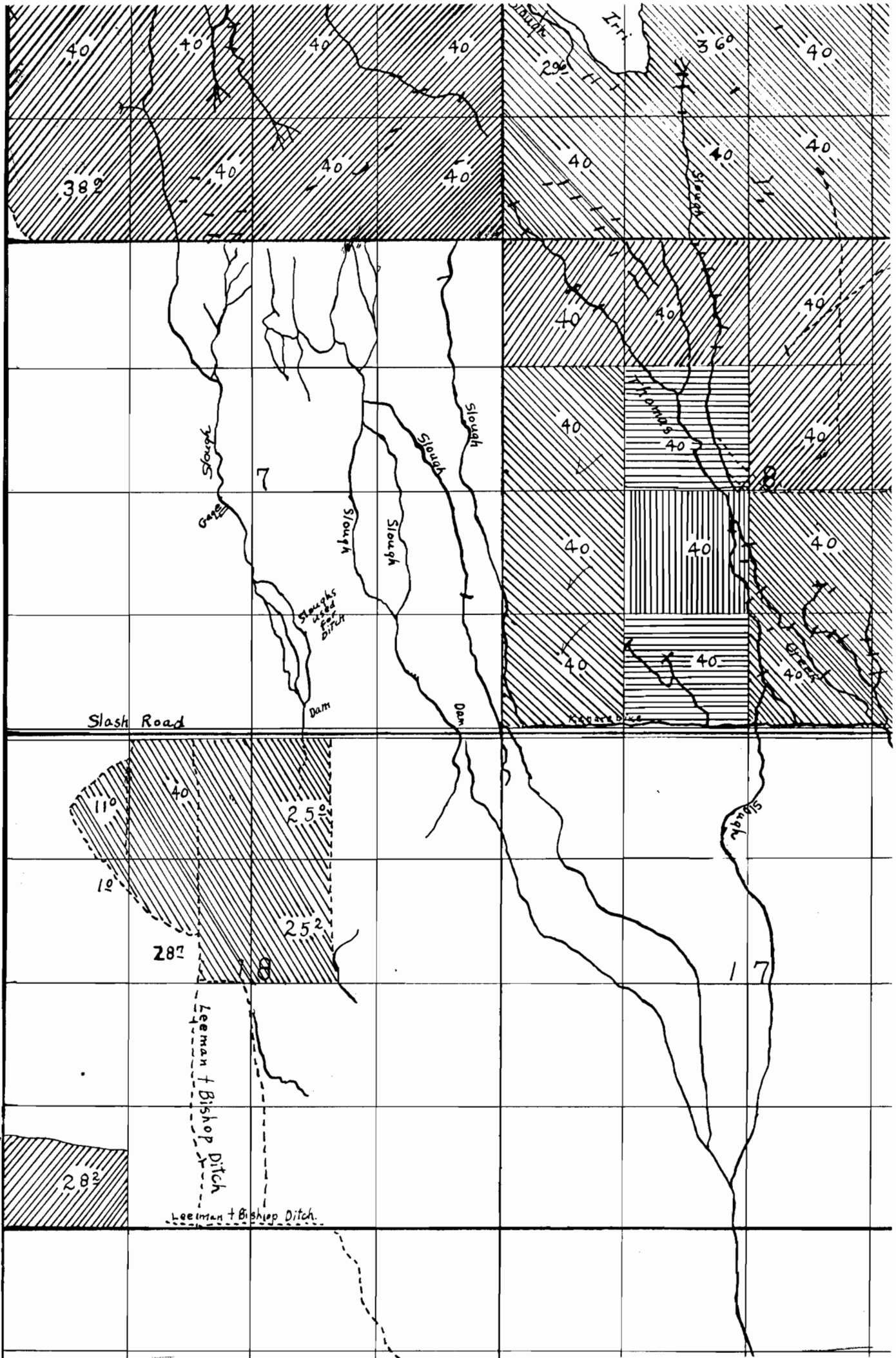


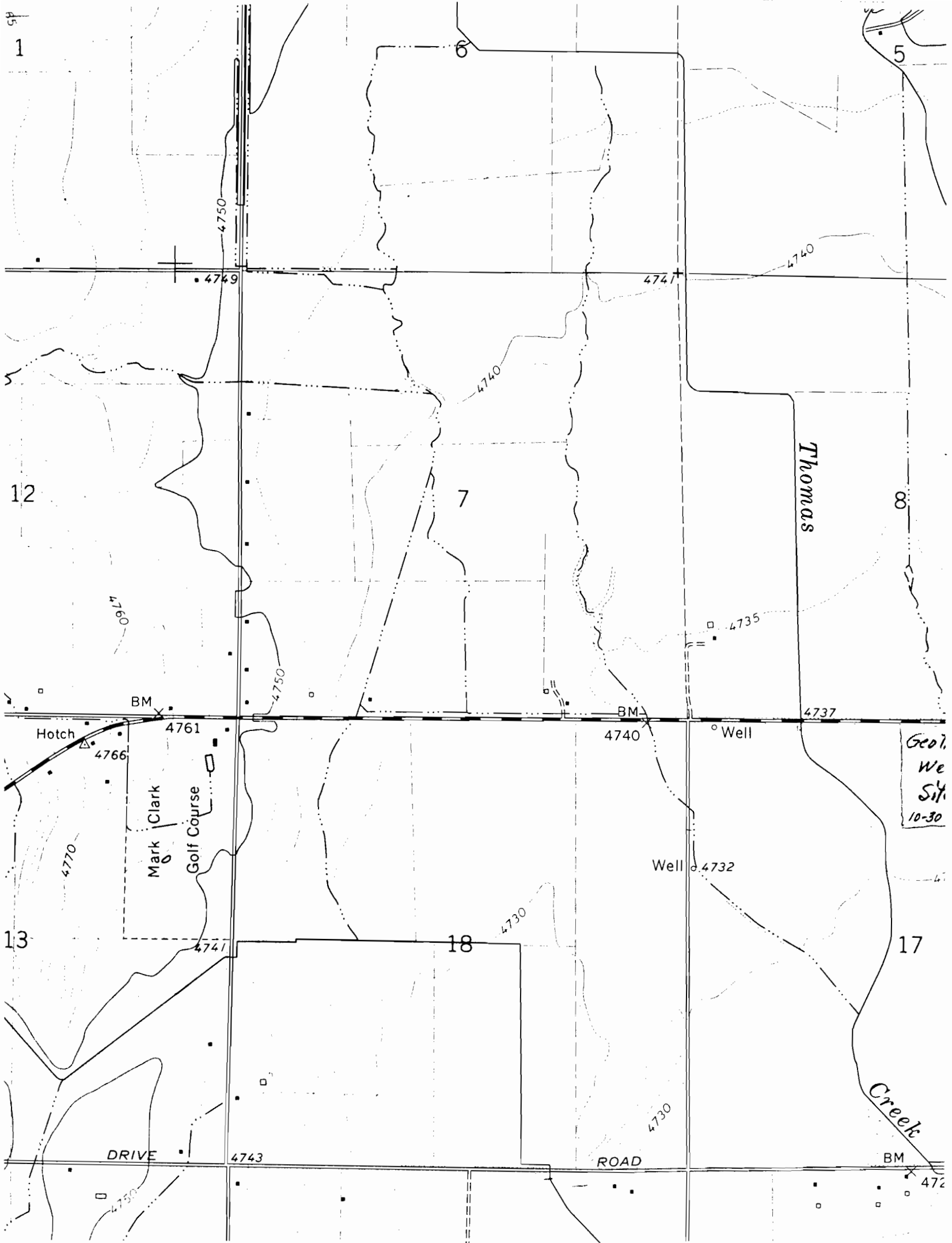
FINAL PROOF SURVEY
UNDER

Application No. Permit No.
IN NAME OF

.....

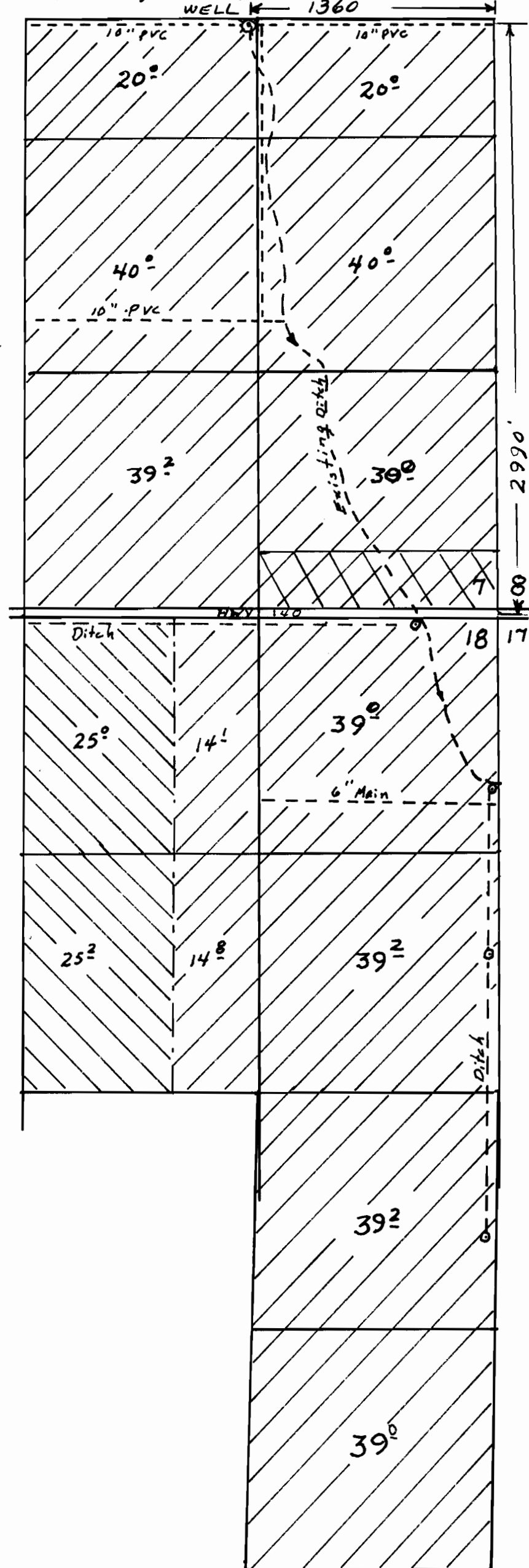
Surveyed 19....., by





T 39 S., R. 20 E., WM

WELL 1360'



Map approved by:
Donald O. Schellenbeger
 Applicant

Scale 8" = 1 mile ±
 Drawn from Aerial Photo
 © Portable Pumping Stations

Edward Naggett

Application No. G-8536
 Permit No. G 7922