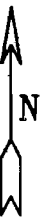


MAP TO ACCOMPANY WATER RIGHT TRANSFER APPLICATION
 NEW PLACE OF USE
 AFFECTING A PORTION OF
 PERMIT G - 8369 CERTIFICATE 53082
 SECTIONS 21, 27 AND 28, T. 3 N., R. 29 E., W.M.
 UMATILLA COUNTY, OREGON
 APPLICANTS: LLOYD AND LOIS PIERCY

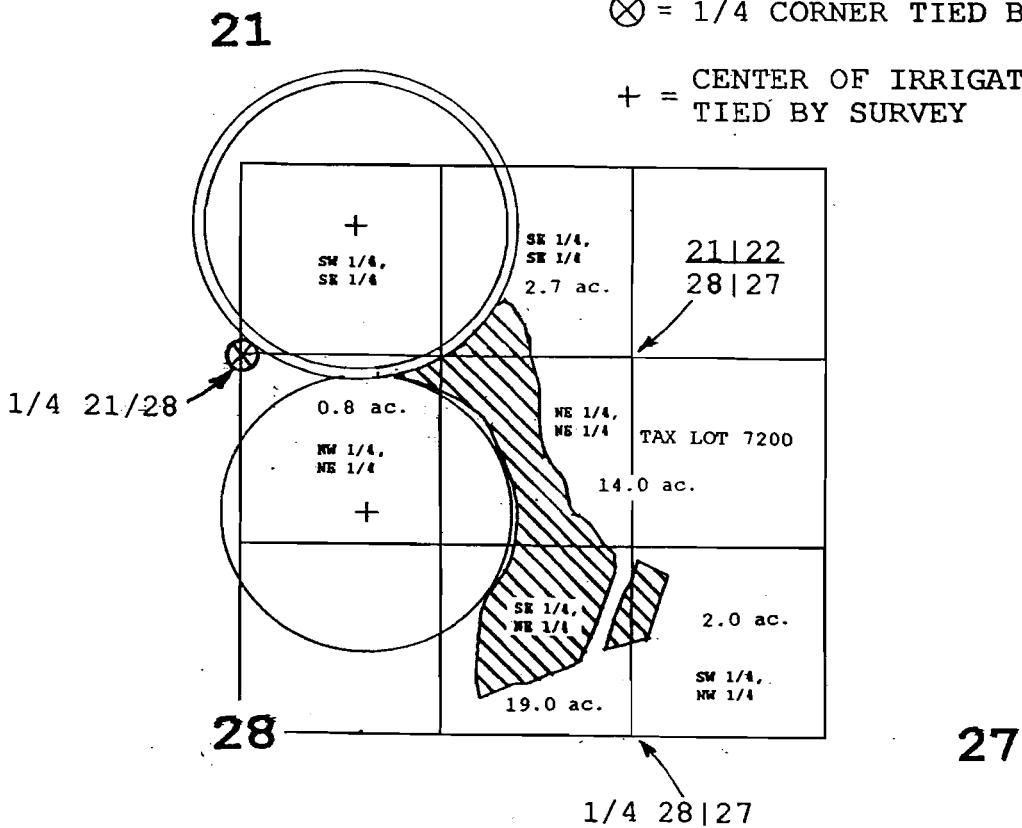


LEGEND

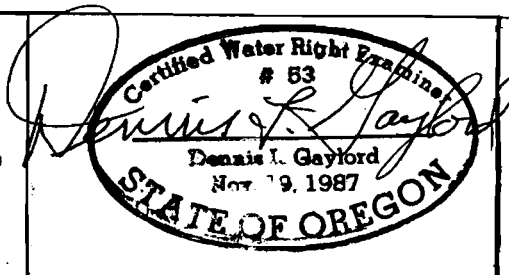
⊗ = TRANSFER "TO" AREA

⊗ = 1/4 CORNER TIED BY SURVEY

+ = CENTER OF IRRIGATION CIRCLE TIED BY SURVEY



THIS MAP IS PREPARED FOR THE EXPRESS PURPOSE TO SHOW WATER APPROPRIATION AND USE. IT IS NOT INTENDED TO SHOW OR LOCATE PROPERTY OWNERSHIP LINES.



DENNIS L. GAYLORD, CWRE
 71614 S.W. LAKE DRIVE
 PENDLETON, OR 97801
 541 - 276 - 6260
 REVISED MAY 20, 2004



RENEWS JUNE 30, 2005



Amend