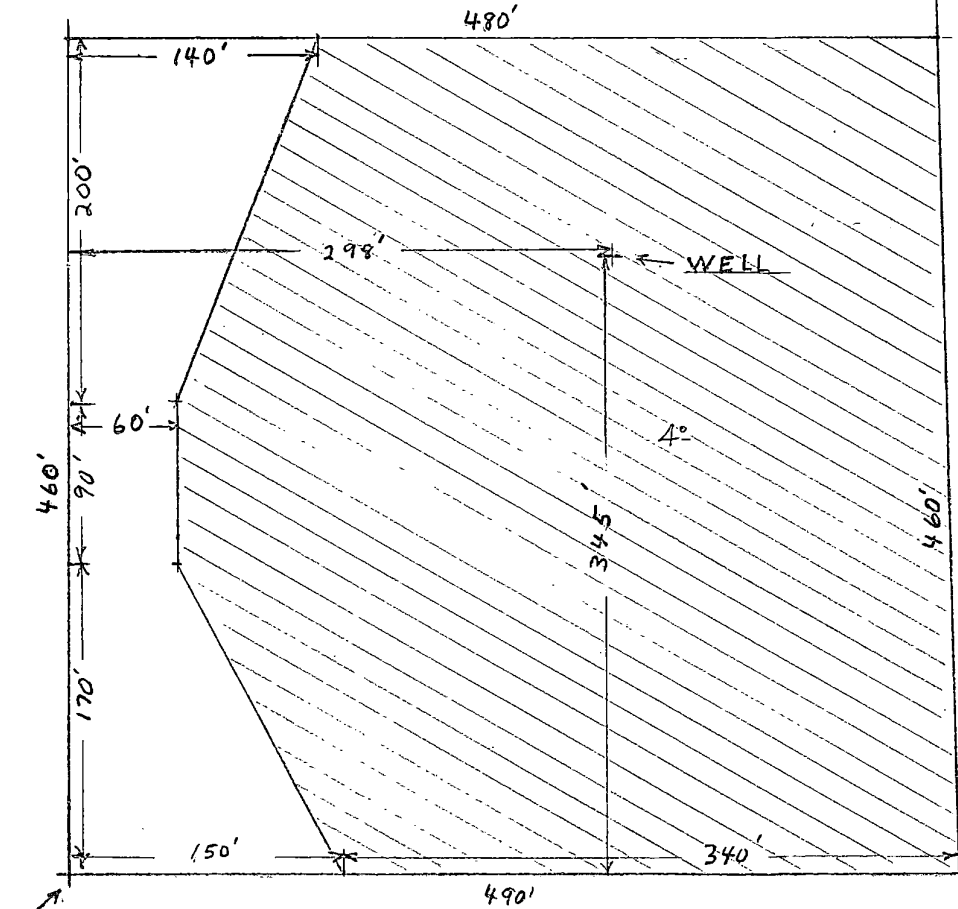
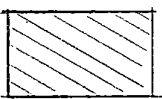




1" = 100'



SOUTH WEST CORNER OF THE
 NW 1/4 OF THE NE 1/4 OF SECTION 9
 TOWNSHIP 39 S RANGE 10 E, W.M.



AREA TO BE
 IRRIGATED: 4 ACRES

PINE GROVE ROAD

RECEIVED

JAN 5 1981

WATER RESOURCES DEPT
 SALEM, OREGON

Application No. G-1000
 Permit No. G 9206