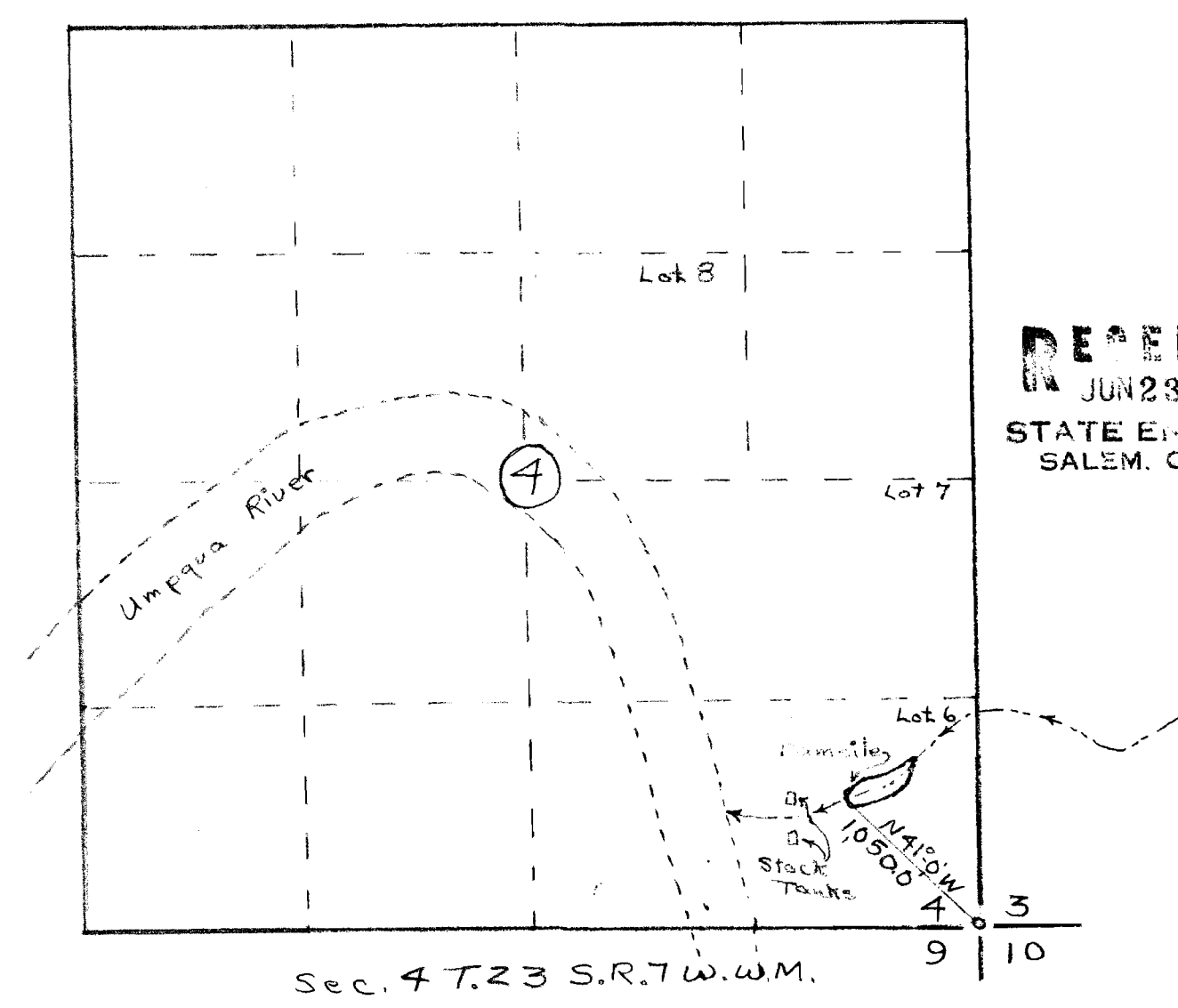
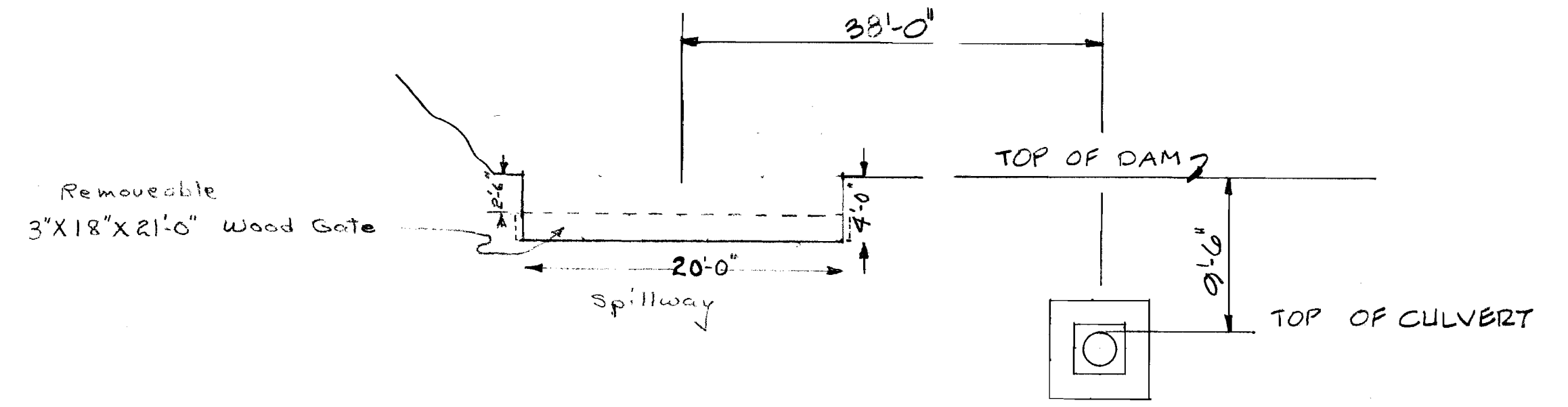
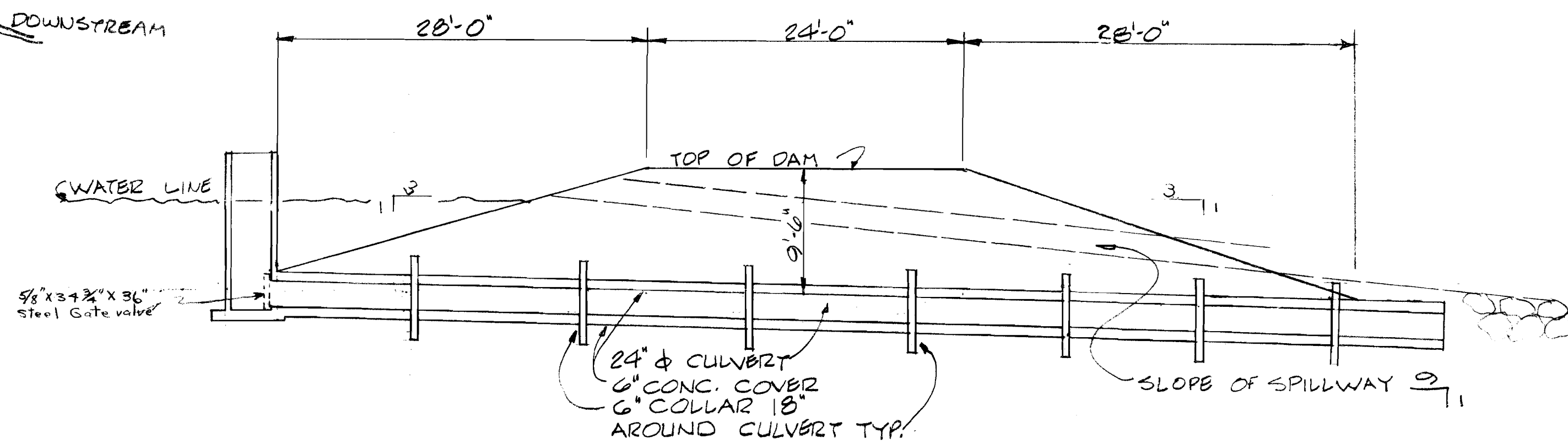
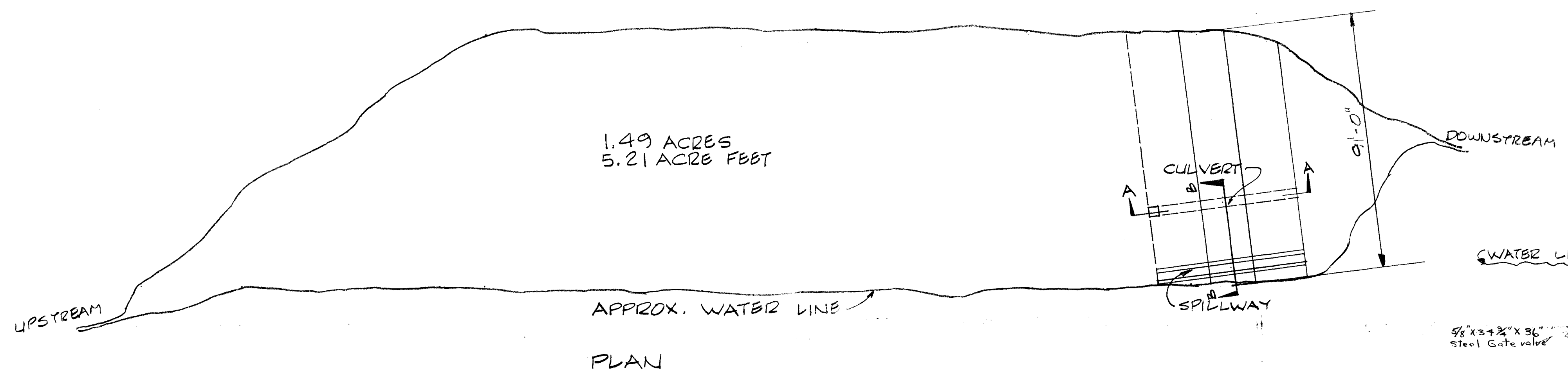


Whipple Ranch -
Rattlesnake Gulch Reservoir

RECEIVED
JUL 10 1969
STATE ENGINEER
SALEM, OREGON



RECEIVED
JUN 23 1969
STATE ENGINEER
SALEM, OREGON

SECT. 4 SE 1/4 SE 1/4 T. 23 S. R. 7 W. W.M.
(Lot 6)

R-46145
46146
R 5486 + 34474