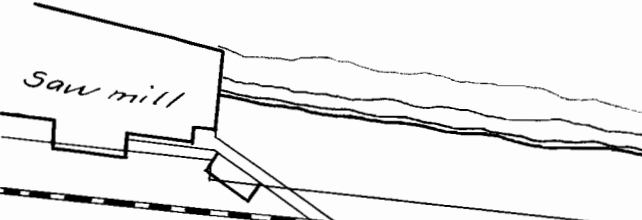
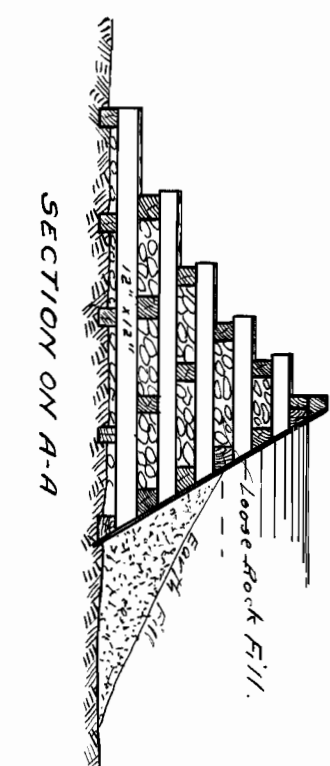
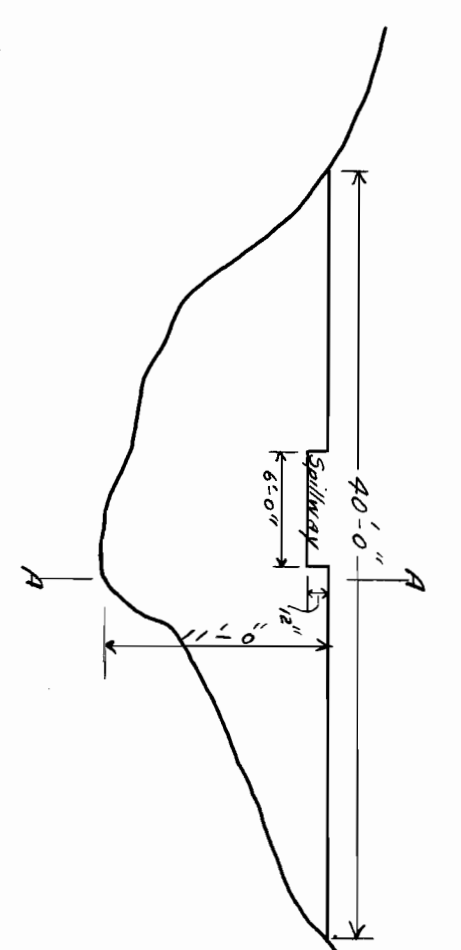
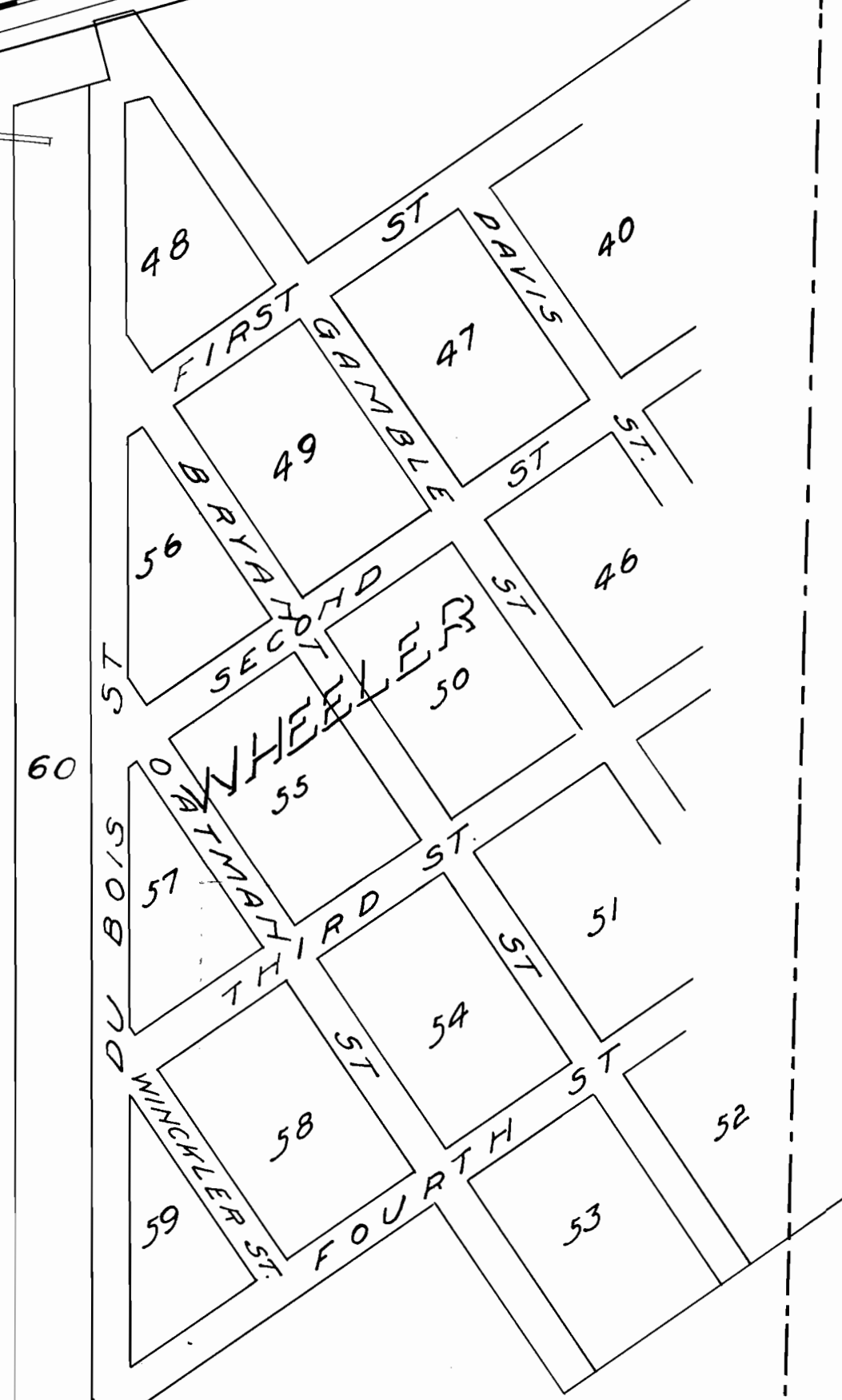
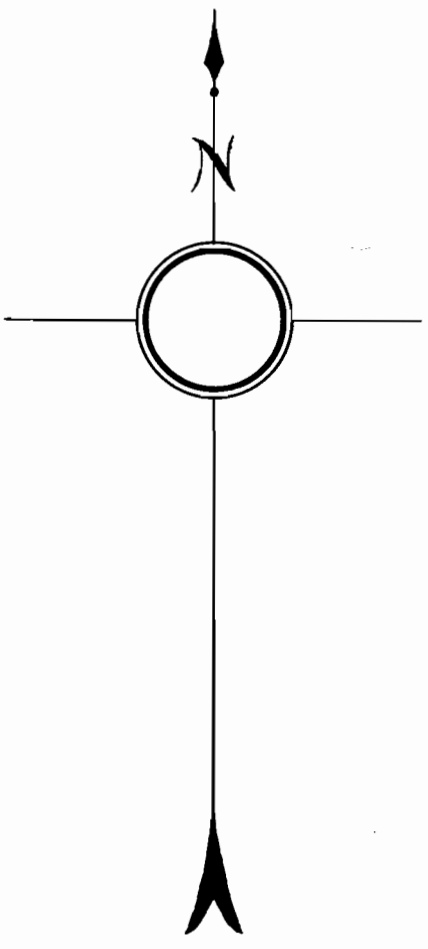
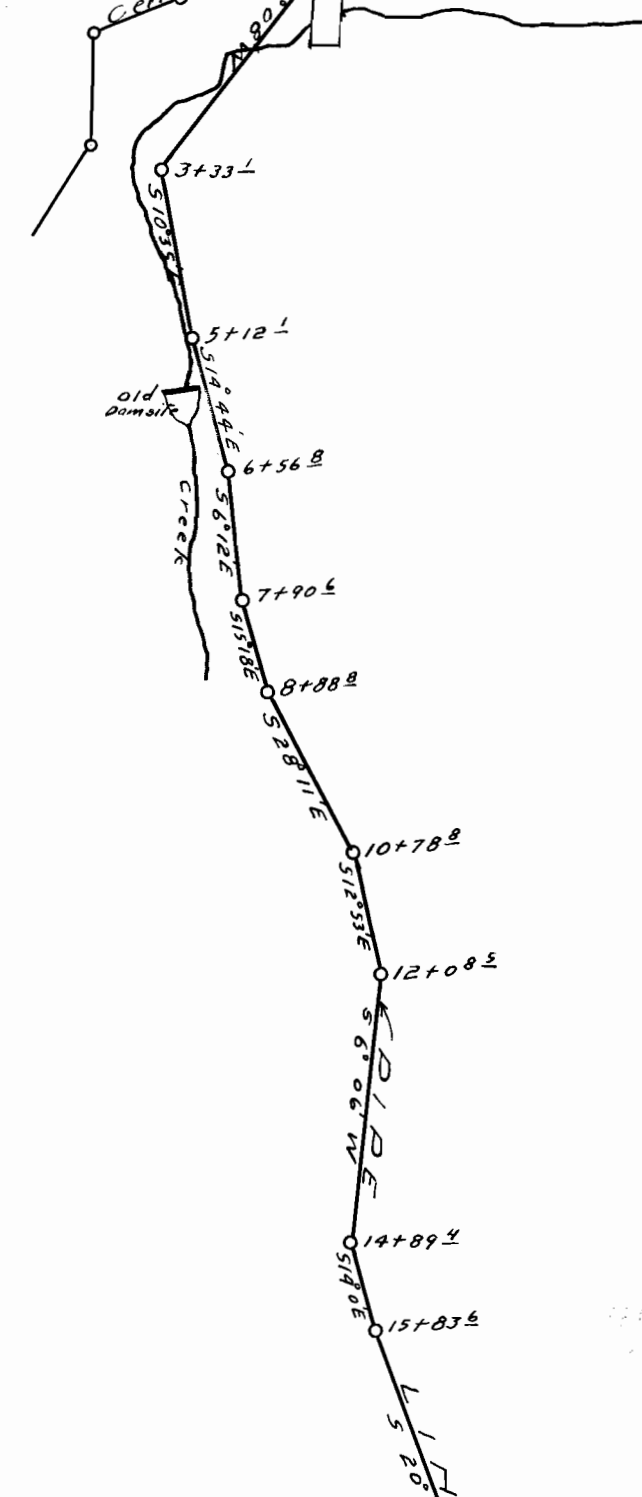


# NEHALEM BAY



Center Line  
County Road



2914  
Perm. No.

SEC. 3, T2N, R10W, W.M. 2  
10 11

SURVEYOR'S CERTIFICATE  
I, G. J. Poysky, surveyor of Tillamook Co. Oregon,  
do hereby certify that this map was made from  
notes taken during an actual survey made by  
me in April, 1913, and that it correctly rep-  
resents the works described in the accom-  
panying application.  
G. J. Poysky

MAP OF  
WATER RIGHT  
FOR  
WHEELER LUMBER CO.  
SECS. 3<sup>rd</sup> & 10, T 2 N, R 10 W, W.M.  
Scale - 1/2"=200' G. J. Poysky  
April, 1913.

