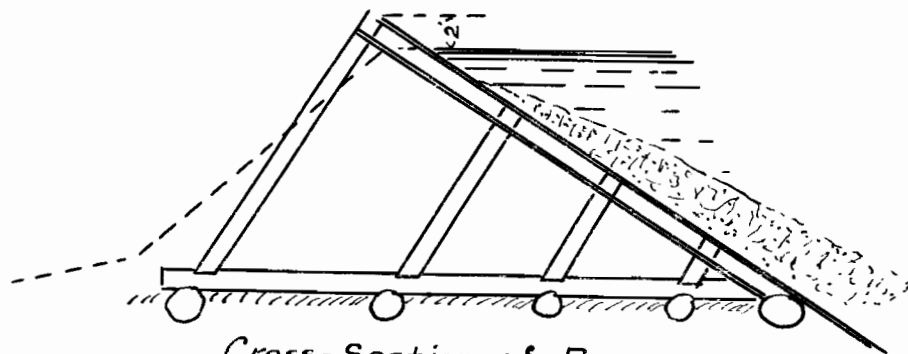


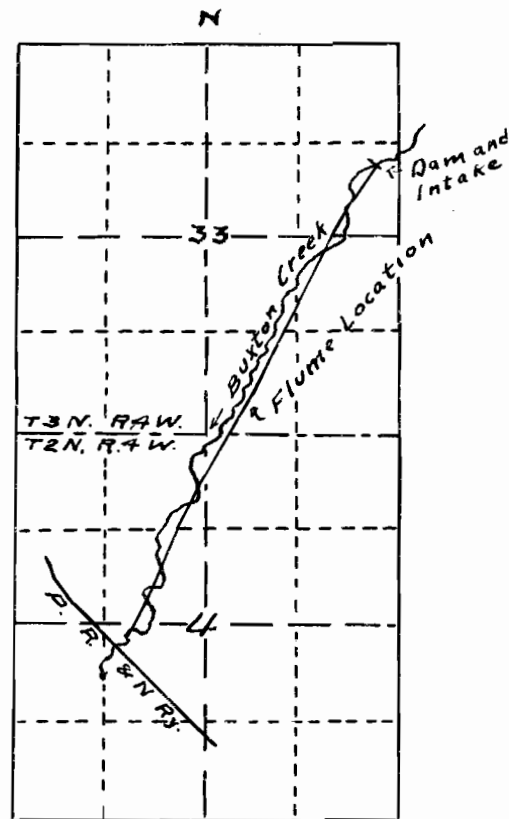
Cross Section at Dam site  
Scale 2" in. = 100 ft.



Cross-Section of Dam.  
Scale 1 in. = 10 ft.

I, F. M. Kettensing, of Vancouver, Wash., do hereby certify that this map was made from notes taken during an actual survey, made by me on January 1<sup>st</sup> to 3<sup>rd</sup> 1914, and that it correctly represents the works described in the accompanying application, together with the location of the streams and other ditches in the immediate vicinity.

F. M. Kettensing,  
Surveyor



MAP -  
SHOWING PROPOSED LOCATION  
BUXTON LUMBER CO'S.  
FLUME IN SEC. 33, T. 3 N., R. 4 W.  
and SEC. 4 T. 2 N., R. 4 W. W. Mer.  
WASHINGTON Co. Oregon  
Scale 2 in. = 1 mi. Jan. 12. 1914

RECORDED

FEB 26 1914

SALEM, OREGON.

Application No. 3476  
Permit No. 1913