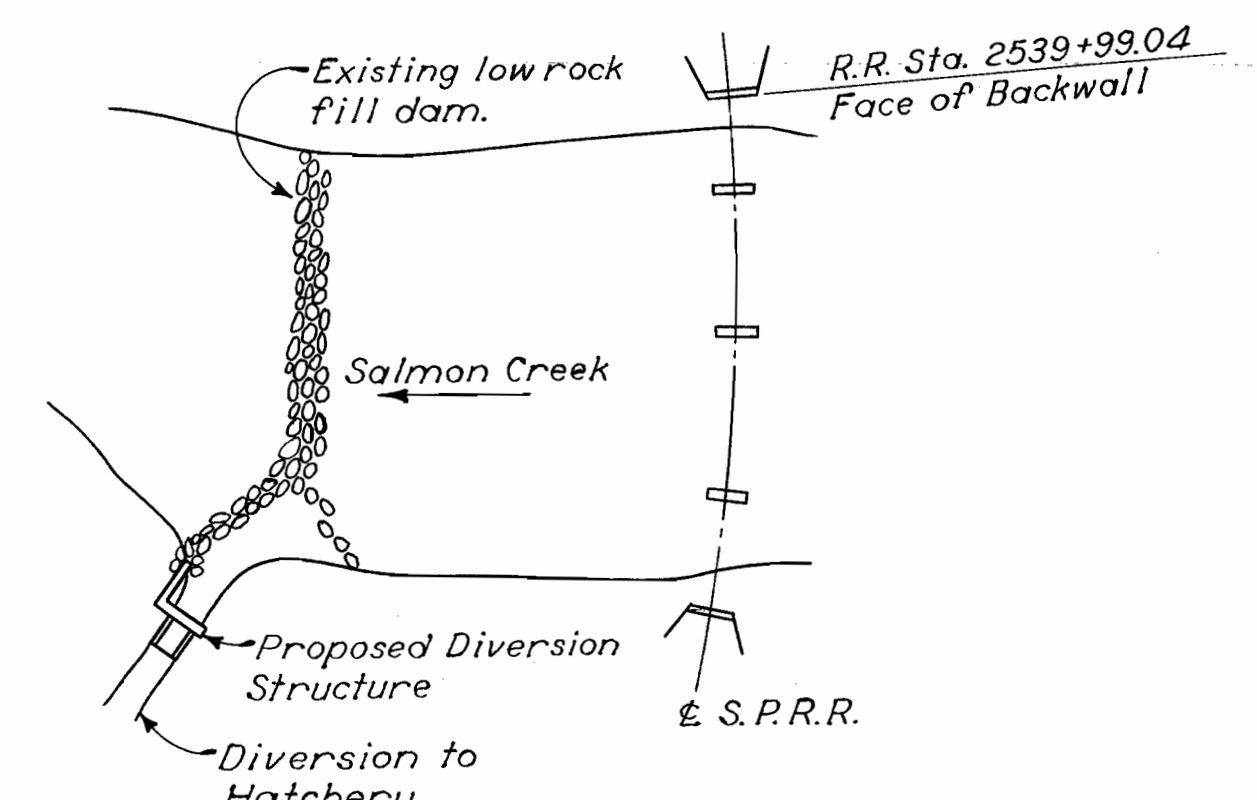
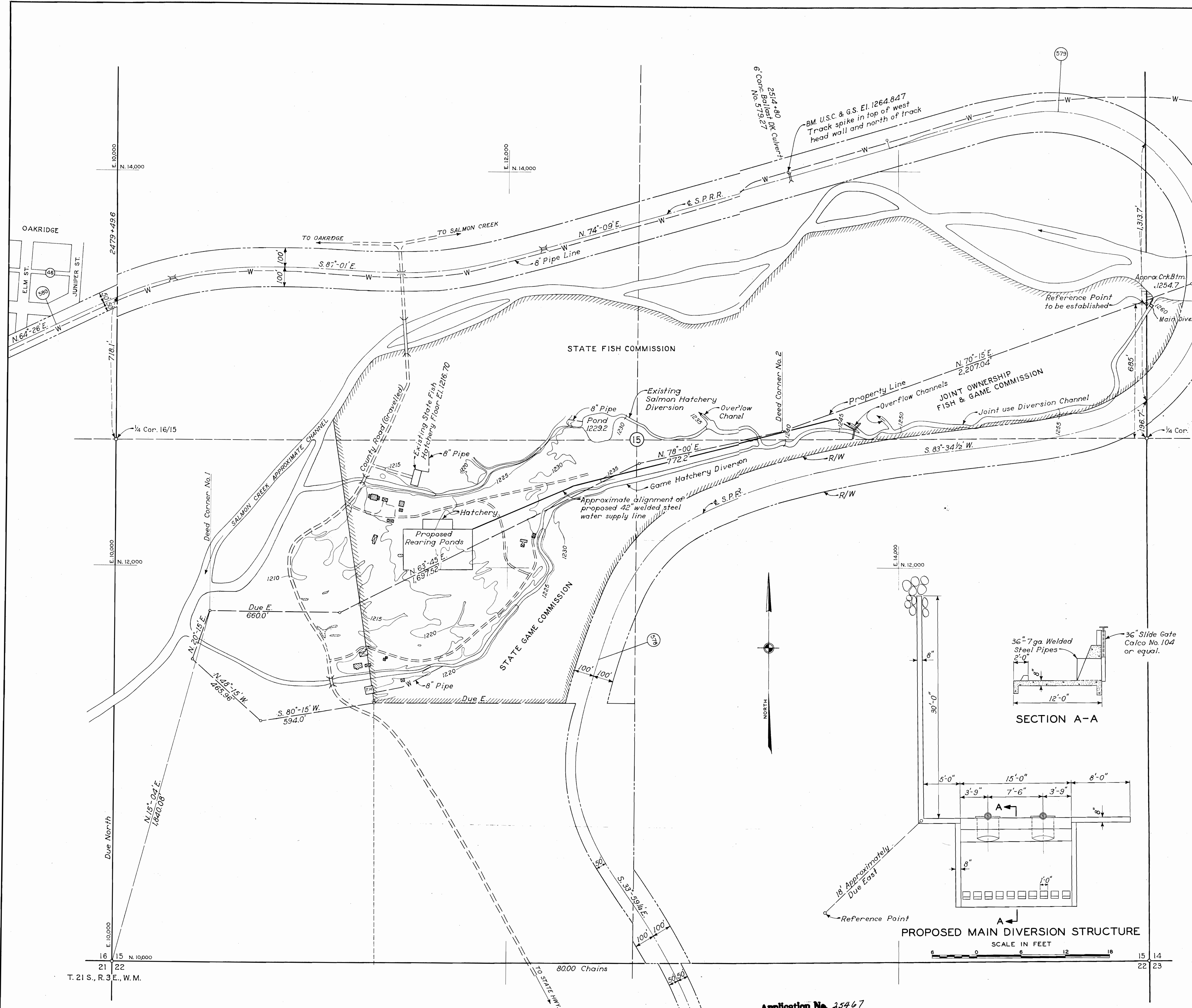
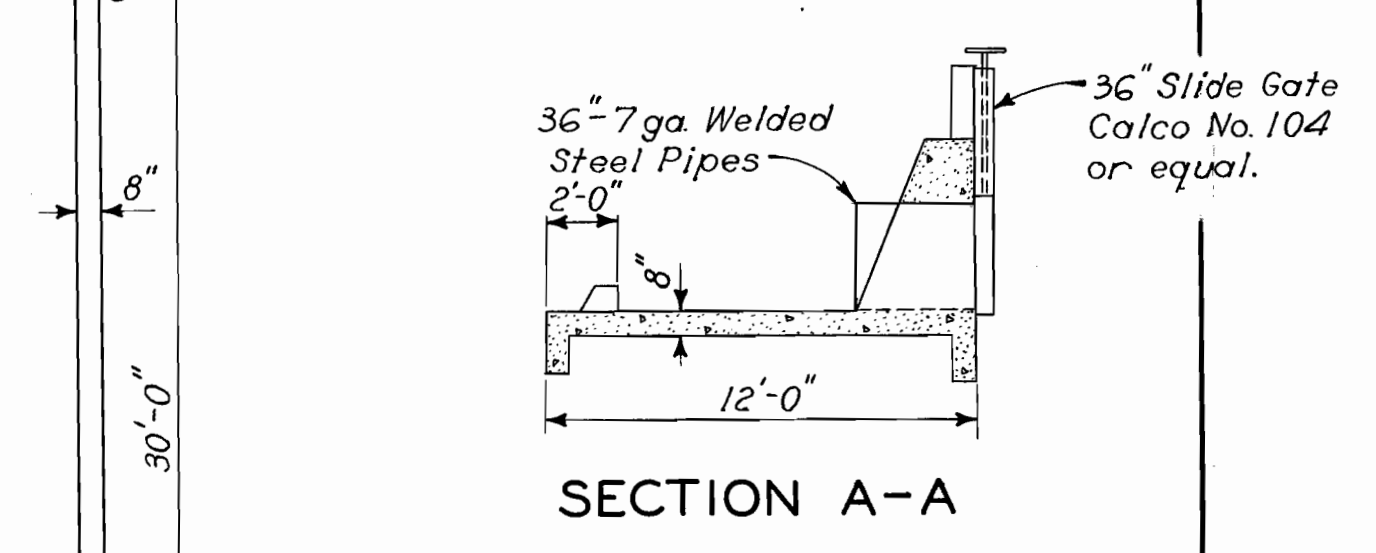


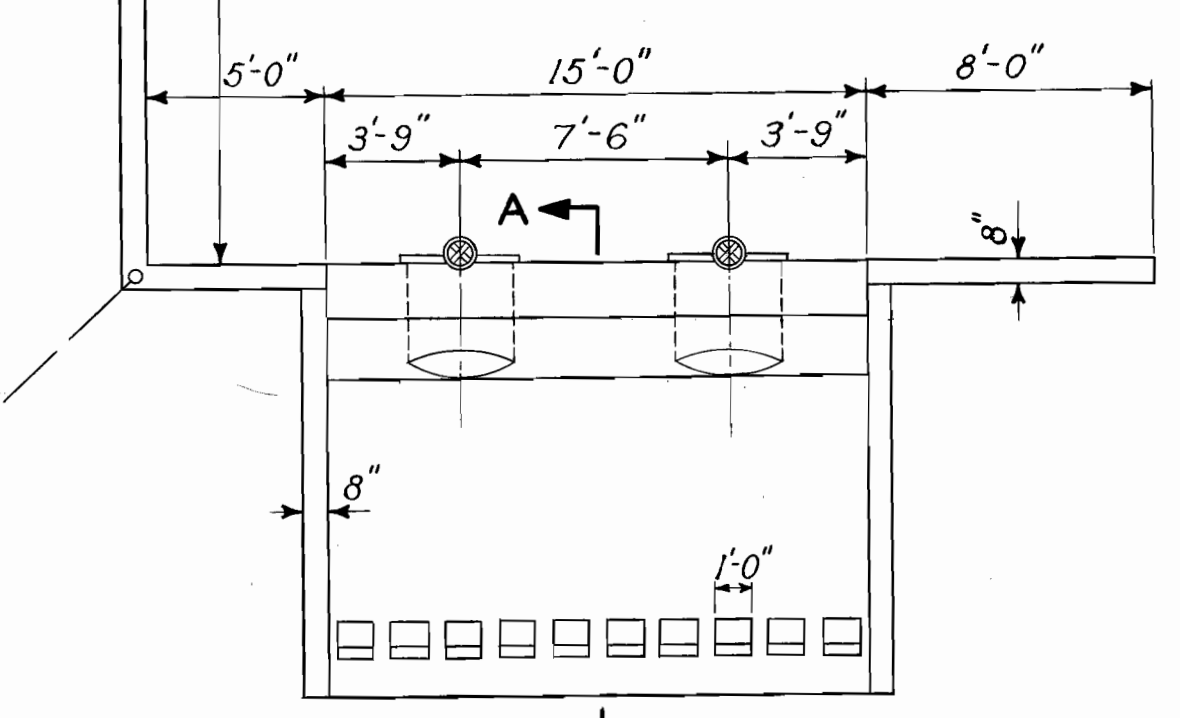
VICINITY MAP
SCALE IN MILES



LOCATION SKETCH
NOT TO SCALE



SECTION A-A



PROPOSED MAIN DIVERSION STRUCTURE
SCALE IN FEET

RECEIVED
JAN 12 1950
STATE ENGINEER
SALEM, OREGON

DESIGN OF DIVERSION STRUCTURE SUBJECT TO REVISION

REVISION	DATE	DESCRIPTION	BY

CORPS OF ENGINEERS, U. S. ARMY
OFFICE OF THE DISTRICT ENGINEER, PORTLAND, OREGON

DESIGNED BY WILLAMETTE RIVER BASIN, OREGON
 TRACED BY R.J.S. **LOOKOUT POINT RESERVOIR**
 MERIDIAN SITE-MIDDLE FORK WILLAMETTE RIVER
 CHECKED BY OAKRIDGE SALMON HATCHERY
 SUPERVISED: **WATER DIVERSION MAP**

HEAD CIVIL WORKS SECTION SUBMITTED: APPROVED: DATE:
 HEAD DESIGN BRANCH RECOMMENDED: COLONEL, C. E. DISTRICT ENGINEER
 CHIEF ENGINEERING DIVISION SCALE AS SHOWN SPEC. NO.
 REVIEWED: SHEET OF

Application No. 25467
Permit No. 20019

Application No. 24236
Permit No. 19208

PLAN
SCALE IN FEET
0 200 400

SCALE IN FEET
0 6 12 18 24