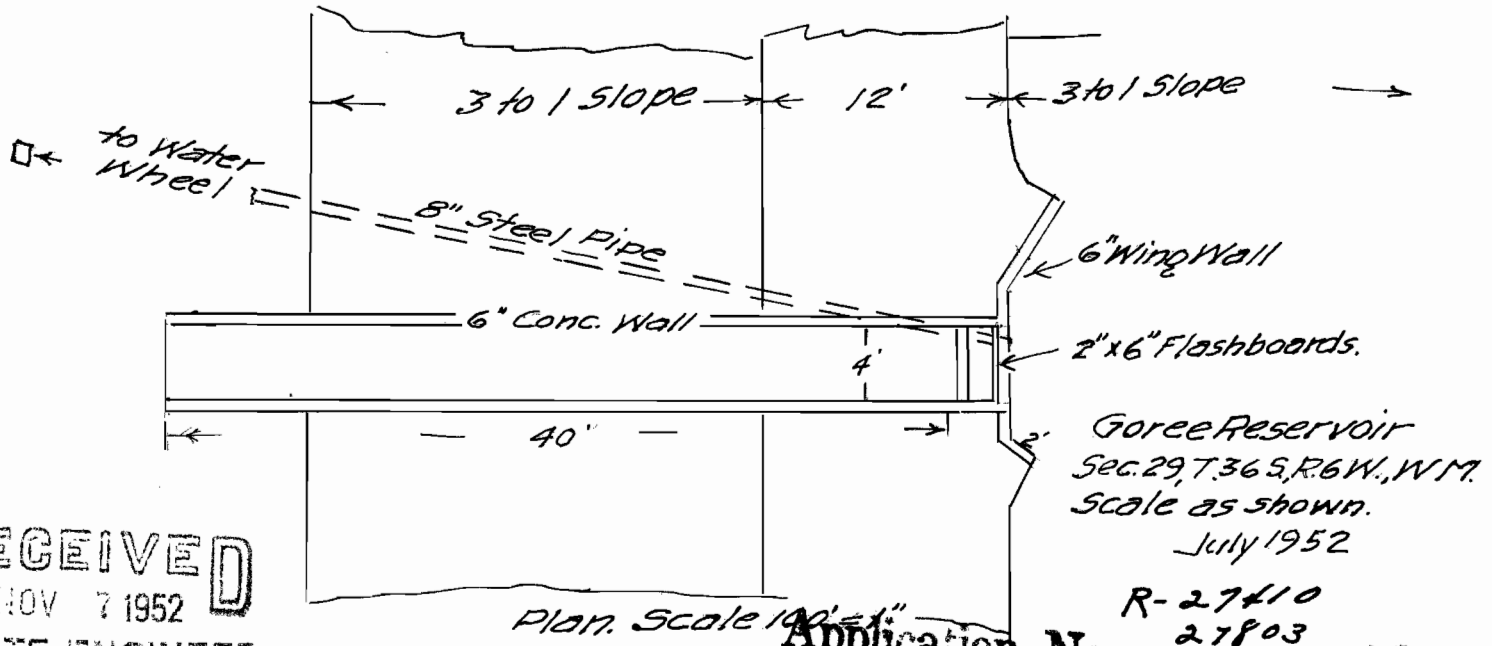
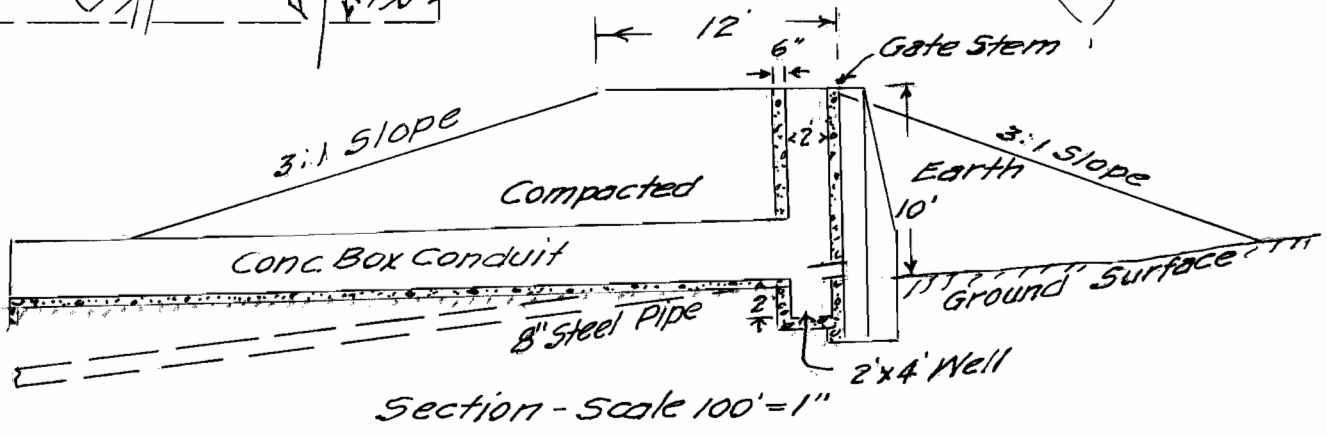
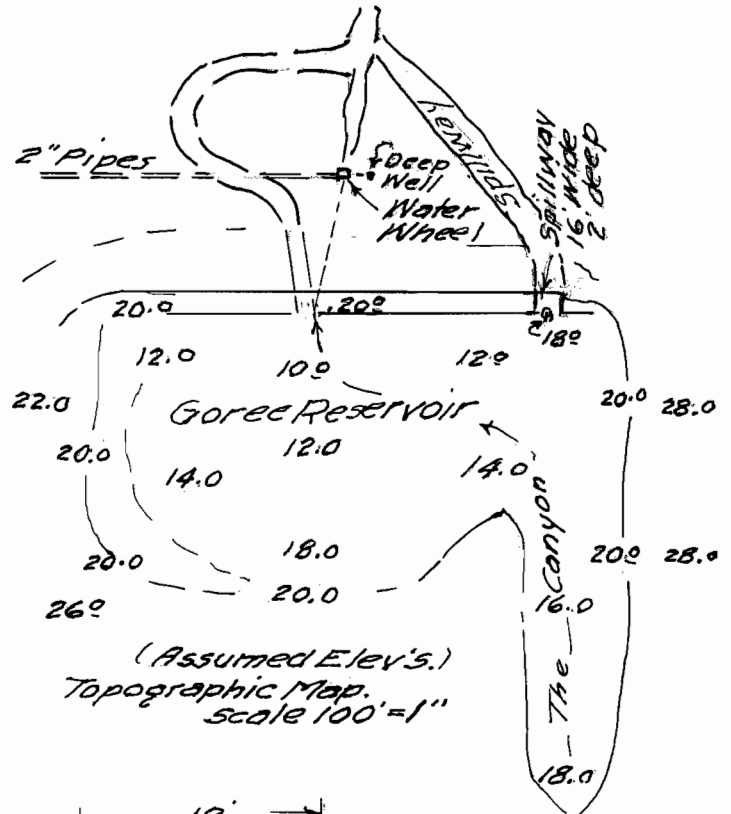
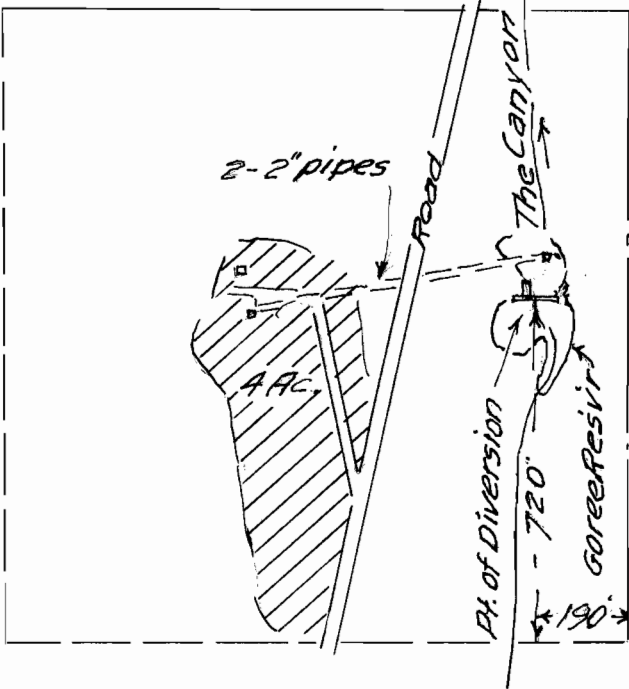


NE 1/4 NW 1/4 Sec. 29  
 T. 36 S., R. 6 W., W.M.  
 Scale 400' = 1" July 1952



RECEIVED  
 NOV 7 1952  
 STATE ENGINEER  
 SALEM, OREGON

Application No. R-27410  
 Permit No. 27803  
 21650, 8-1395