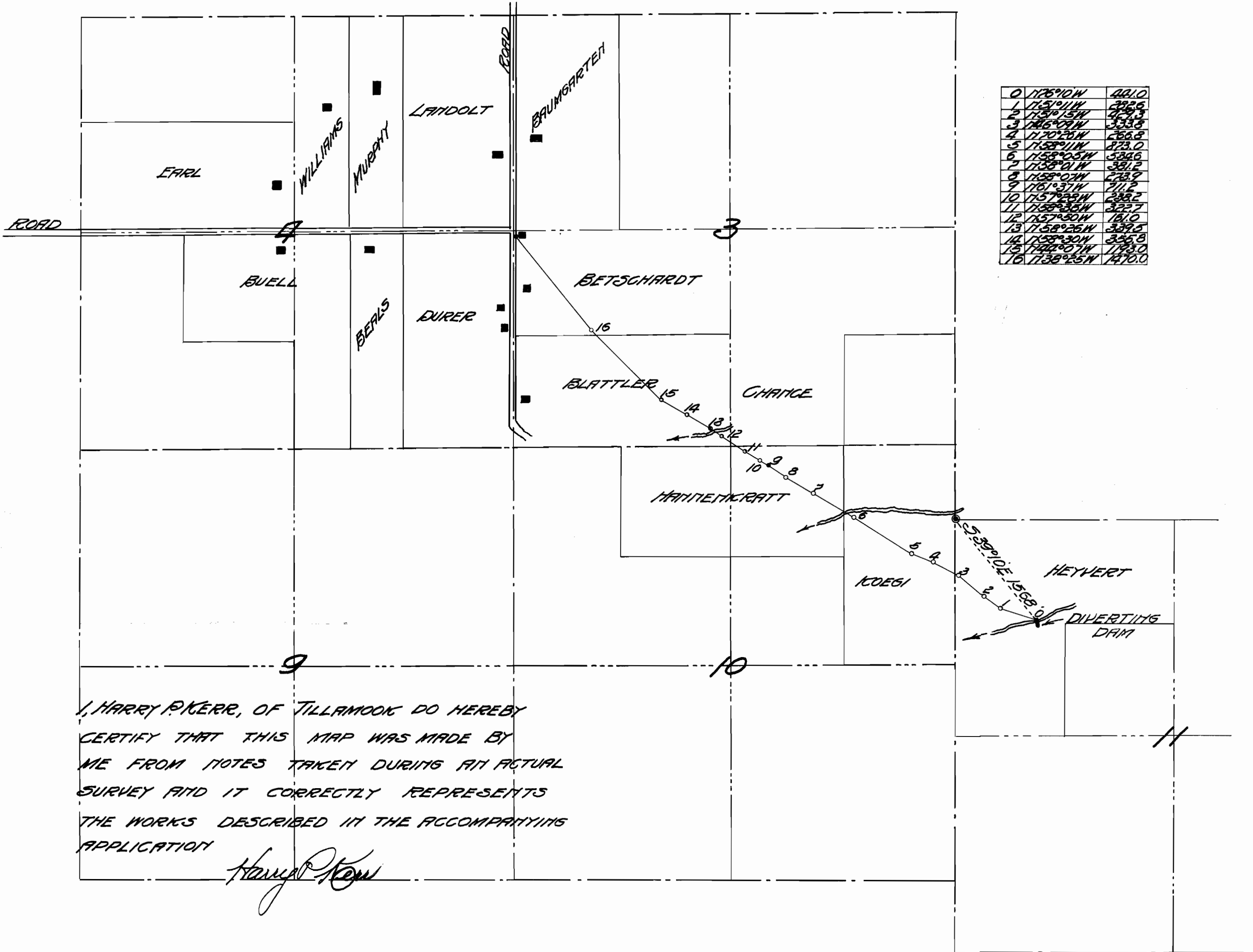
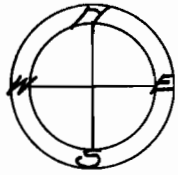


PLAT
SHOWING LOCATION
EARL WATER RIGHT
S11-T25R9W WM
TILLAMOOK COUNTY
OREG.

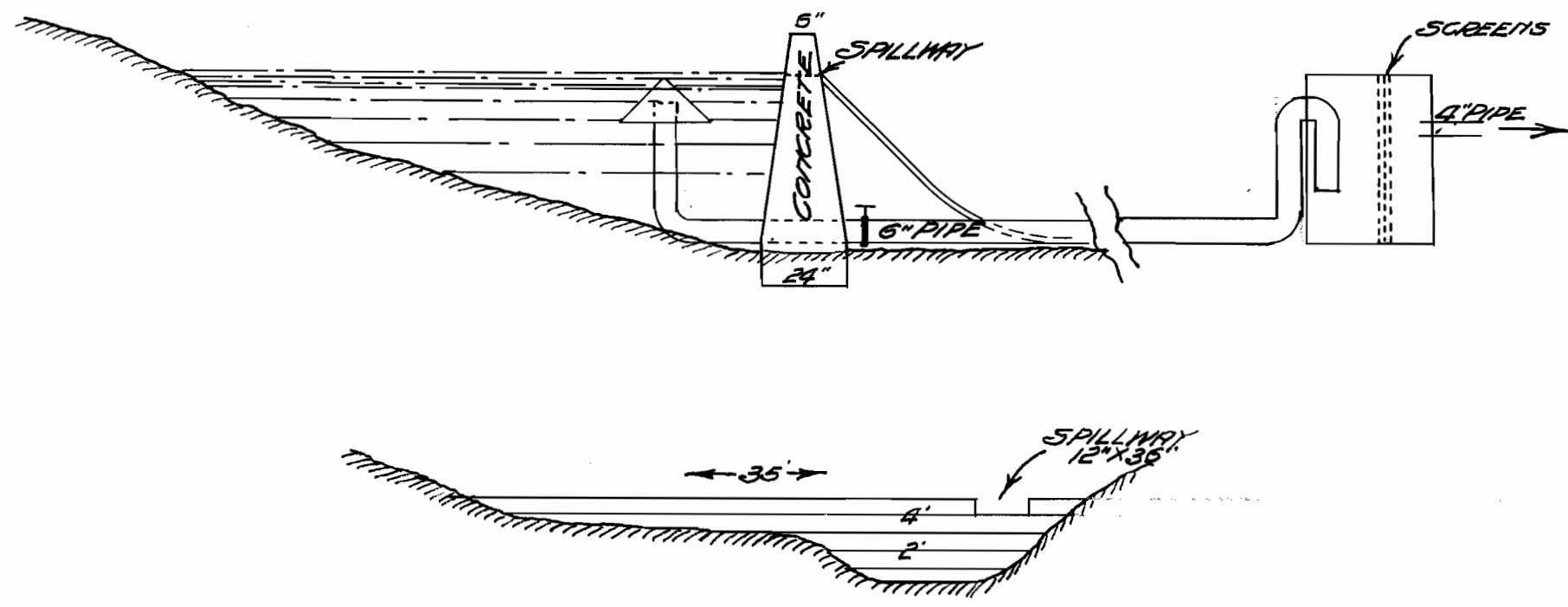


0	1125°10'W	481.0
1	115°10'W	382.6
2	115°10'W	382.6
3	115°10'W	382.6
4	115°10'W	382.6
5	115°10'W	382.6
6	115°10'W	382.6
7	115°10'W	382.6
8	115°10'W	382.6
9	115°10'W	382.6
10	115°10'W	382.6
11	115°10'W	382.6
12	115°10'W	382.6
13	115°10'W	382.6
14	115°10'W	382.6
15	115°10'W	382.6
16	115°10'W	382.6

I, HARRY P. KERR, OF TILLAMOOK DO HEREBY
 CERTIFY THAT THIS MAP WAS MADE BY
 ME FROM NOTES TAKEN DURING AN ACTUAL
 SURVEY AND IT CORRECTLY REPRESENTS
 THE WORKS DESCRIBED IN THE ACCOMPANYING
 APPLICATION

Harry P. Kerr

OFFICE OF STATE ENGINEER
 RECEIVED
 NOV 19 1915
 SALEM, OREGON

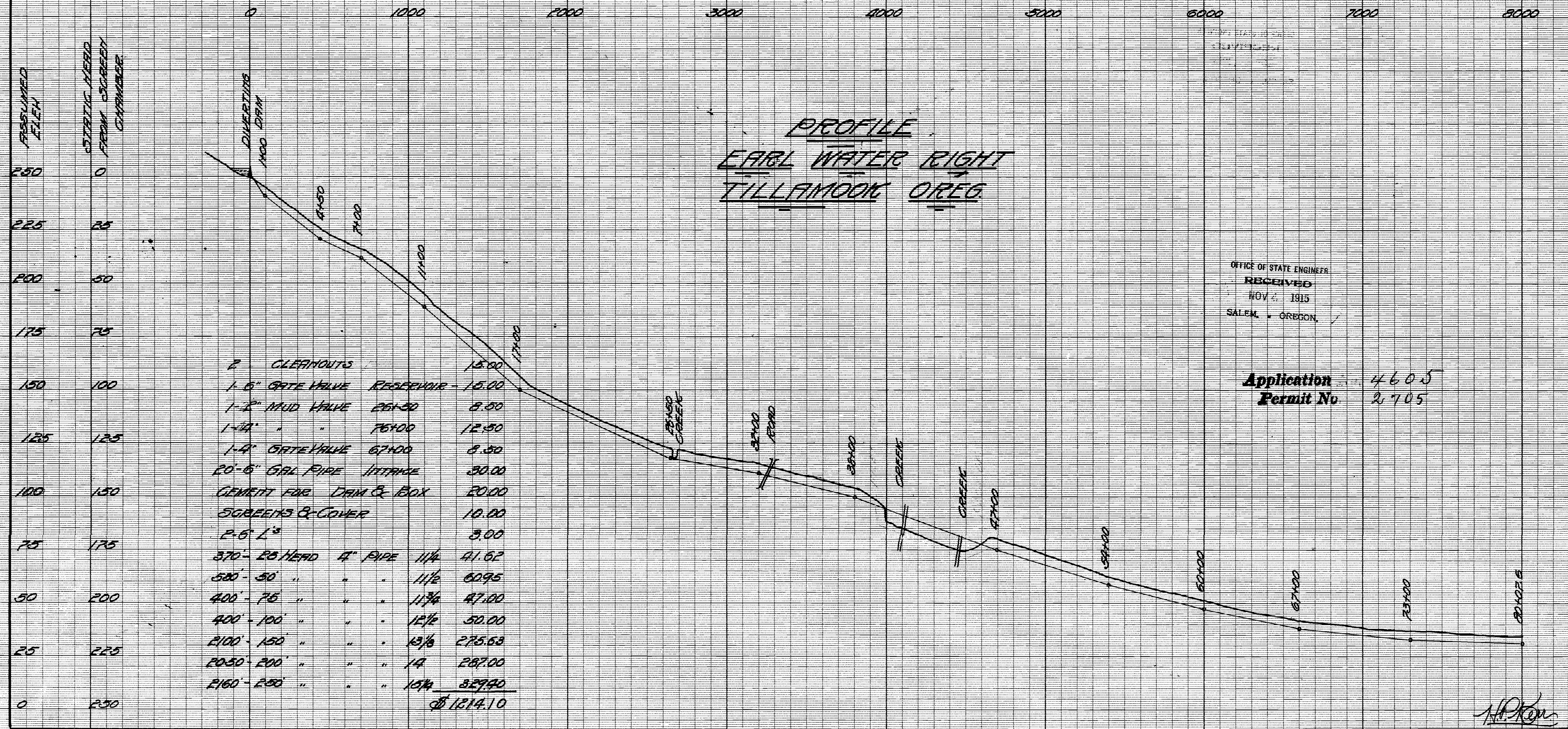


4605
 2705

PROFILE EARL WATER RIGHT TILLAMOOK OREG.

OFFICE OF STATE ENGINEER
RECEIVED
NOV. 1915
SALEM, OREGON

Application No. 4605
Permit No. 2705



2	CLEARINGS		15.00
1	6" GATE VALVE RESERVOIR		15.00
1	2" MUD VALVE	26150	8.50
1	4" " "	26100	12.50
1	4" GATE VALVE	67100	8.50
20	6" GAL. PIPE	117100	30.00
	CONCRETE FOR DAM & BOX		20.00
	SCREENS & COVER		10.00
2	6" L's		3.00
370	20 HEAD 4" PIPE	11/4	41.62
500	50 " " "	11/2	60.95
400	75 " " "	11/4	47.00
400	100 " " "	12/2	50.00
2100	150 " " "	13/8	275.53
2050	200 " " "	14	287.00
2160	250 " " "	15/4	329.40
			<u>\$1214.10</u>

H.P. Ken