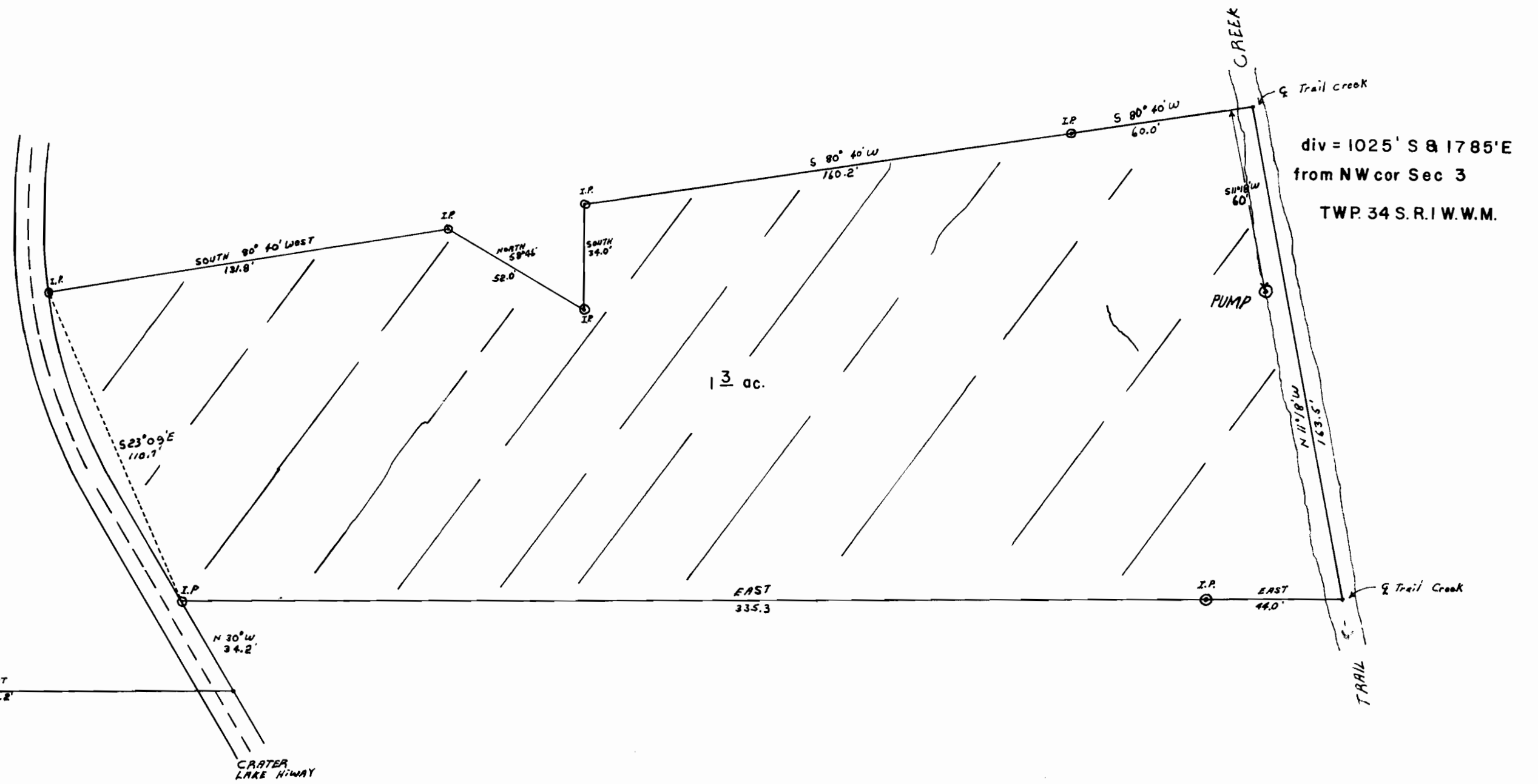
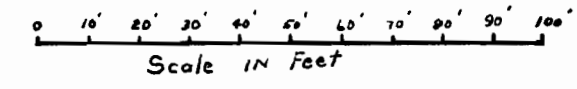


T33S. R.1.W.
W.B.+M.



div = 1025' S & 1785' E
 from NW cor Sec 3
 TWP. 34 S. R. 1 W. W. M.

Map to accompany the application
 of
 MB. MEGLASSON



Application No. 43173
 Permit No. 31862