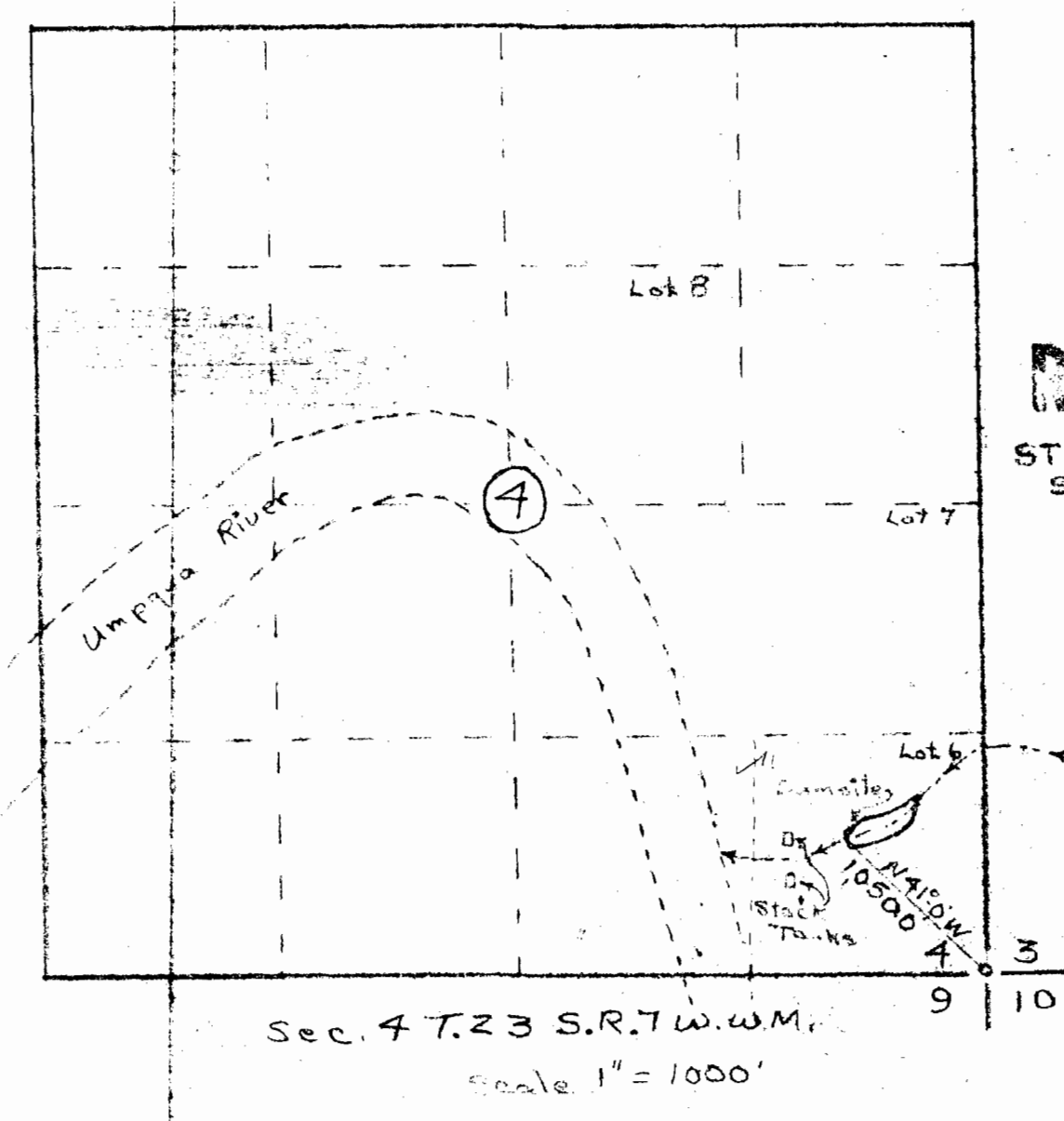
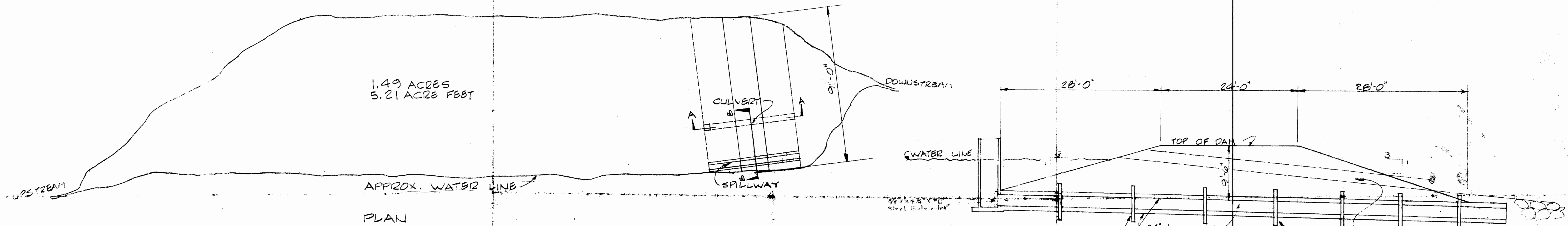


Whipple Ranch -
Rattlesnake Gulch Reservoir

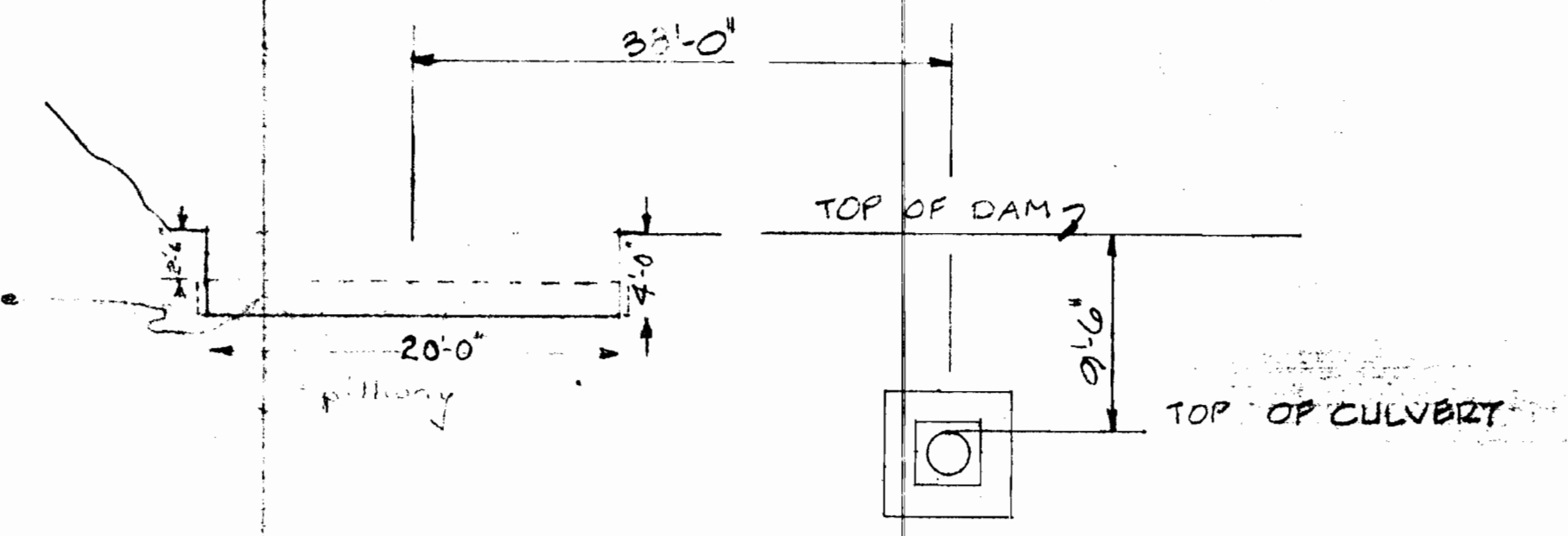
RECEIVED
STATE ENGINEER
SALEM, OREGON



RECEIVED
JUN 23 1969
STATE ENGINEER
SALEM, OREGON

Removable
3" X 18" X 21'-0" Wood Gate

SECTION A-A



SECTION B-B
SCALE 1/8" = 1'-0"

SECT. 4 SE 1/4 SE 1/4 T. 23 S. R. 7 W. W.M.
(Lot 6)

R-46145
1/6/40
R 5486