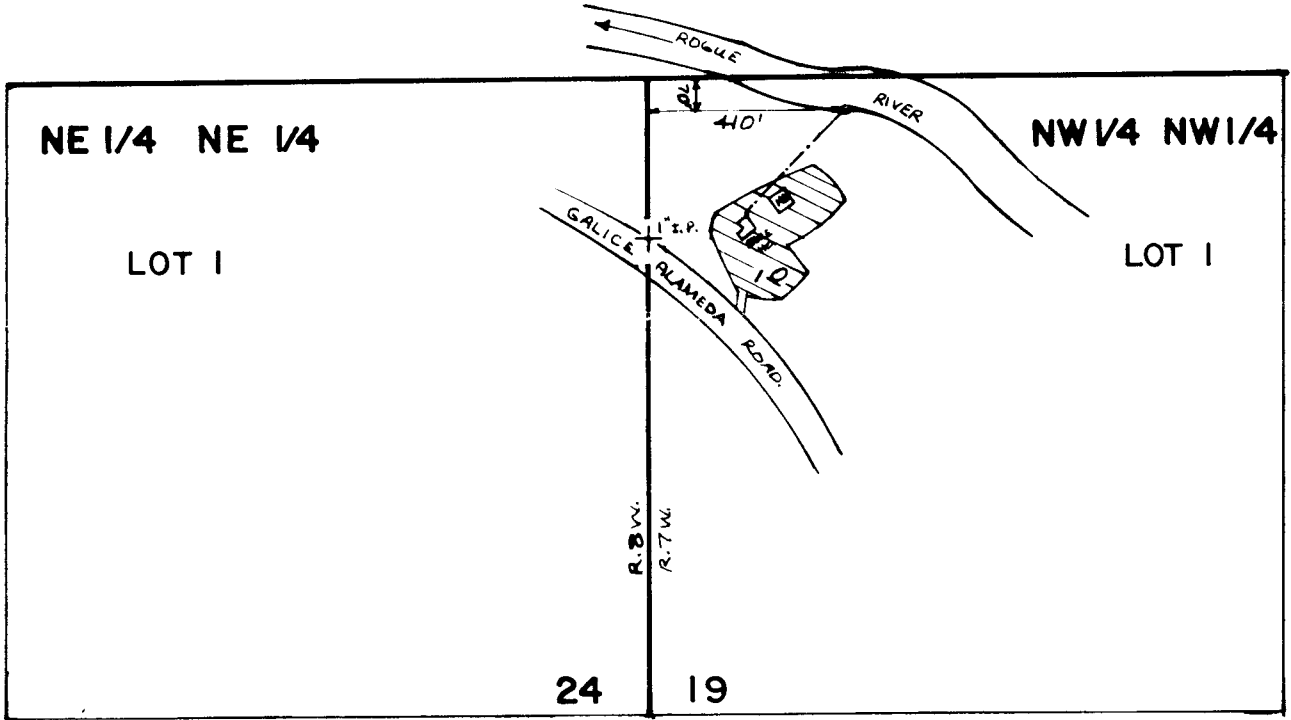


T. 34S., R. 7W., W.M.



SCALE: 1" = 400'

RECEIVED
JUN 6 1988
WM. DIST. 14
GRANTS PASS, ORE.

FINAL PROOF SURVEY
UNDER

Application No. 57892 Permit No. 43668
IN NAME OF

JAMES F. & MARJORIE WICKHAM

Surveyed JUNE 27 1984 by B.S. JAMES

PTS-1984-13A JRW.