

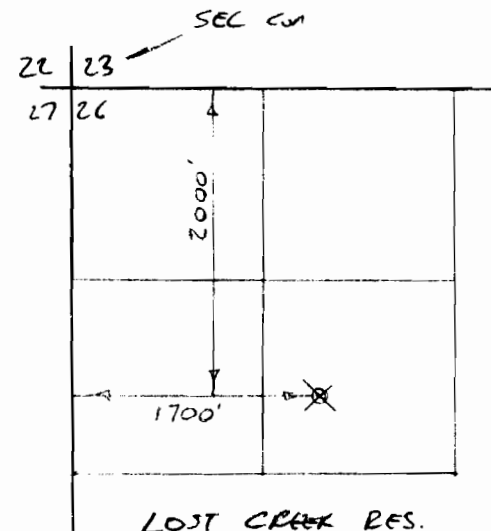
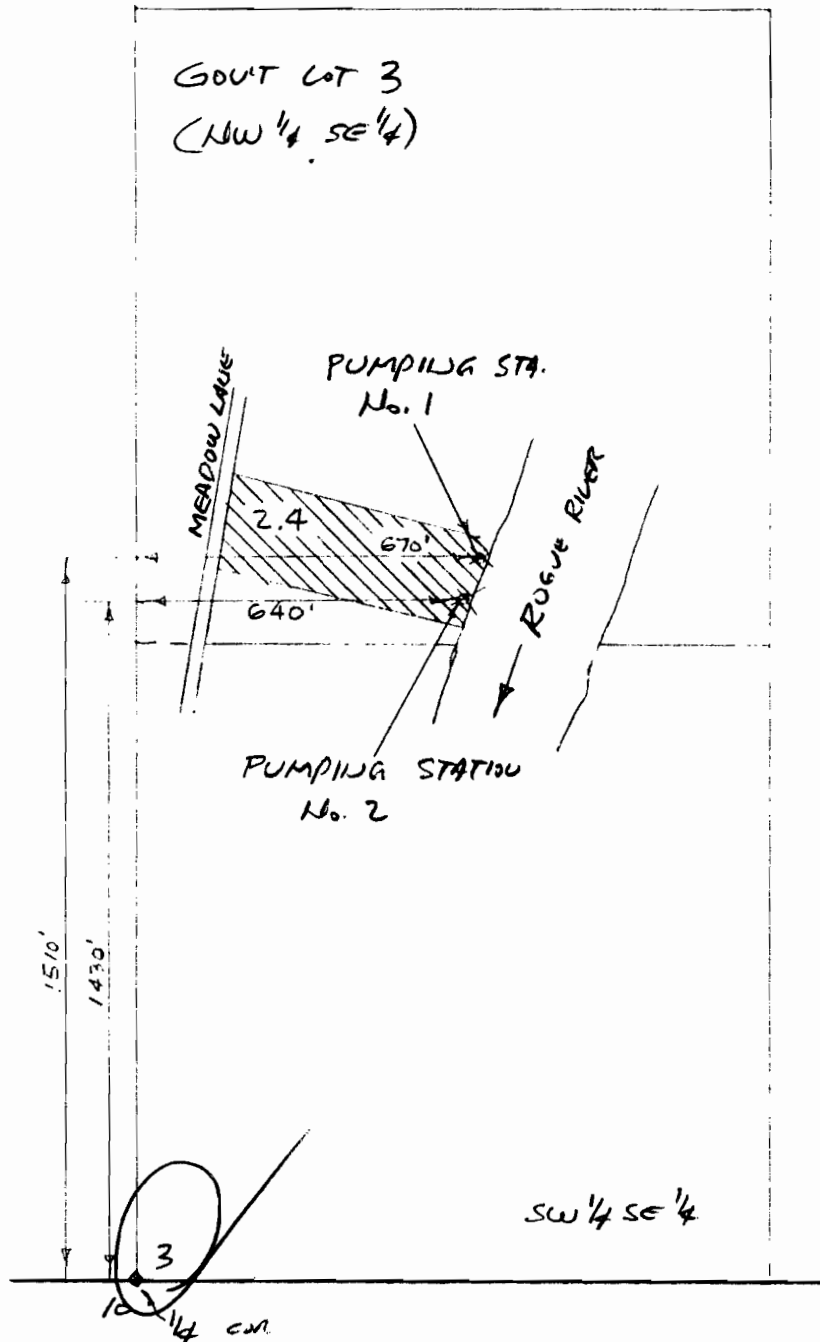
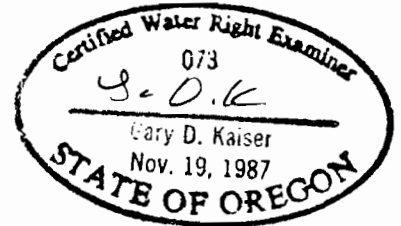
T.34S., R.1W.
JACKSON CO., OREGON

RECEIVED

APR 10 1995

WATER RESOURCES DEPT.
SALEM, OREGON

Application No. S-80161
Permit No. 53270



LOST CREEK RES.
POINT OF DIVERSION
T.33S., R.1E.

MAP TO ACCOMPANY AN
APPLICATION FOR A PERMIT
TO APPROPRIATE SURFACE WATER

FOR: ROBERT J. KOLODNY
14914 RANCHO REAL
DEL MAR, CA 92014

PREPARED BY:
GARY D. KAISER
KAISER SURVEYING
1940 HWY. 62
EAGLE POINT, OR 97524

FEBRUARY 20, 1995

NOTE: MAP PREPARED FOR
WATER RIGHT PURPOSES ONLY
NOT FOR PROPERTY
BOUNDARY LOCATIONS