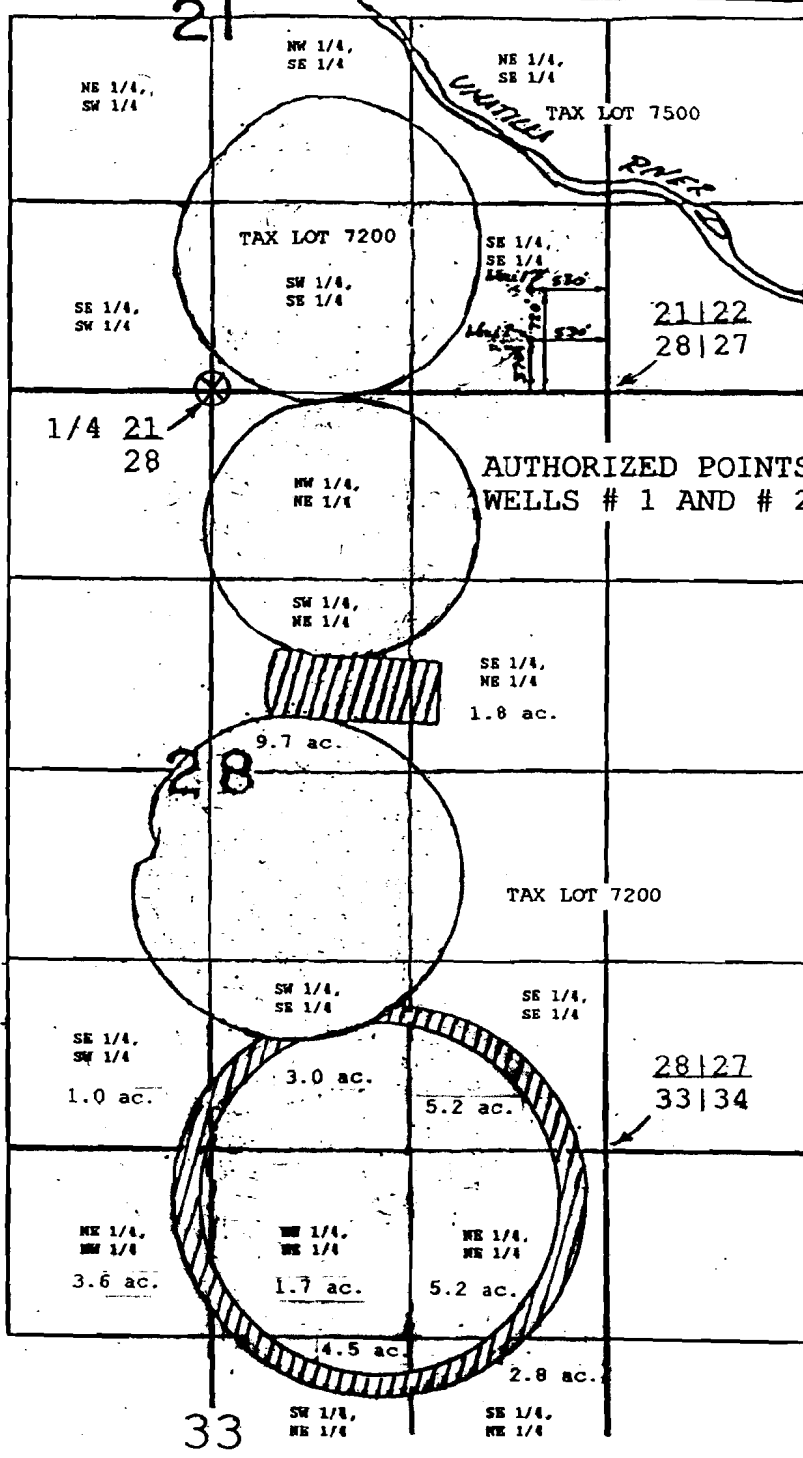


"FROM & TO"

T. 3N.,
R. 29E.,
W.M.



AUTHORIZED POINTS OF APPROPRIATION
WELLS # 1 AND # 2.

SCALE 1"=1320'

MAP TO ACCOMPANY WATER RIGHT TRANSFER APPLICATION

NEW PLACE OF USE

AFFECTING A PORTION OF

PERMIT G - 8369

CERTIFICATE 53082

SECTIONS 21, 28 AND 33, T. 3 N., R. 29 E., W.M.

UMATILLA COUNTY, OREGON

APPLICANTS: LLOYD AND LOIS PIERCY

T - 9683 and T - 9684

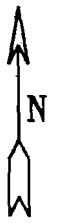
LEGEND

- ⊗ = TRANSFER "FROM" AREA
- ⊗ = CORNER TIED BY SURVEY

Amend

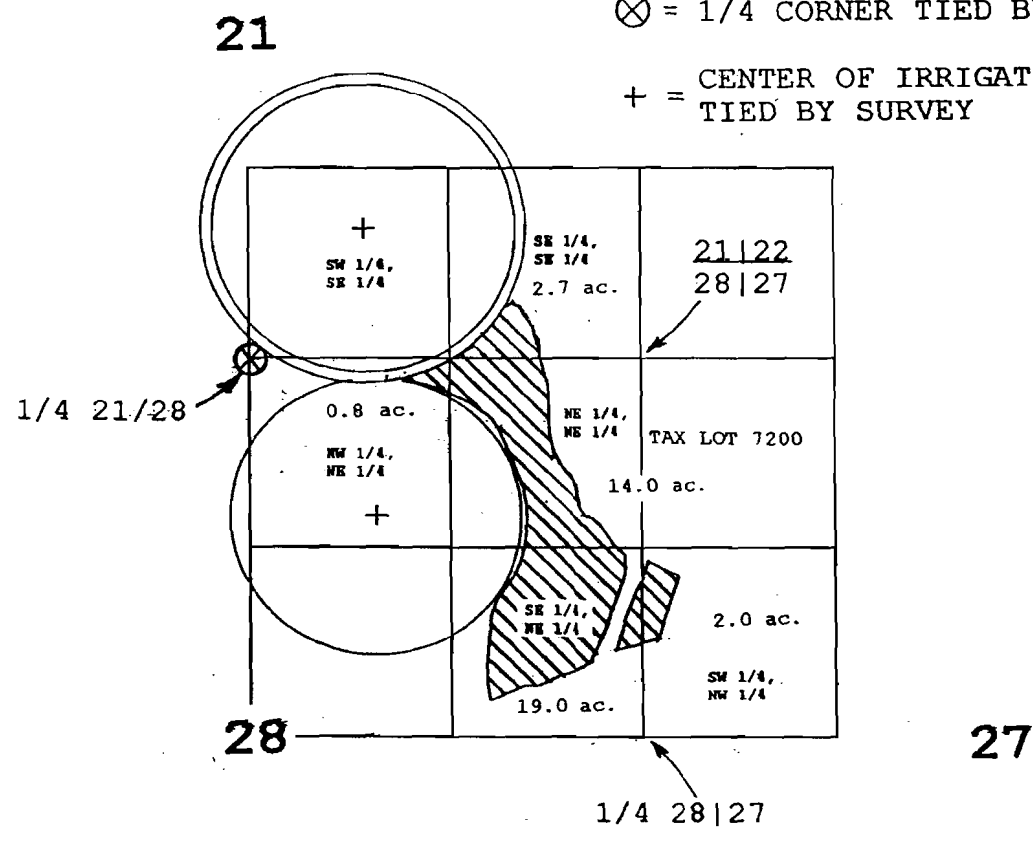
"FROM & TO"

MAP TO ACCOMPANY WATER RIGHT TRANSFER APPLICATION
 NEW PLACE OF USE
 AFFECTING A PORTION OF
 PERMIT G - 8369 CERTIFICATE 53082
 SECTIONS 21, 27 AND 28, T. 3 N., R. 29 E., W.M.
 UMATILLA COUNTY, OREGON
 APPLICANTS: LLOYD AND LOIS PIERCY

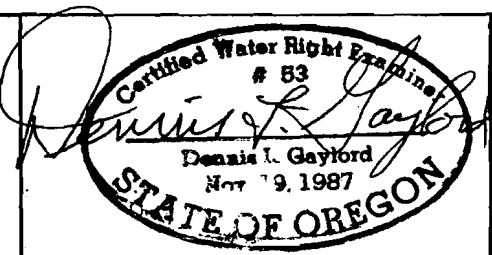


LEGEND

- ⊗ = TRANSFER "TO" AREA
- ⊗ = 1/4 CORNER TIED BY SURVEY
- + = CENTER OF IRRIGATION CIRCLE TIED BY SURVEY



THIS MAP IS PREPARED FOR THE EXPRESS PURPOSE TO SHOW WATER APPROPRIATION AND USE. IT IS NOT INTENDED TO SHOW OR LOCATE PROPERTY OWNERSHIP LINES.



DENNIS L. GAYLORD, CWRE
 71614 S.W. LAKE DRIVE
 PENDLETON, OR 97801
 541 - 276 - 6260
 REVISED MAY 20, 2004

©

RENEWS JUNE 30, 2005



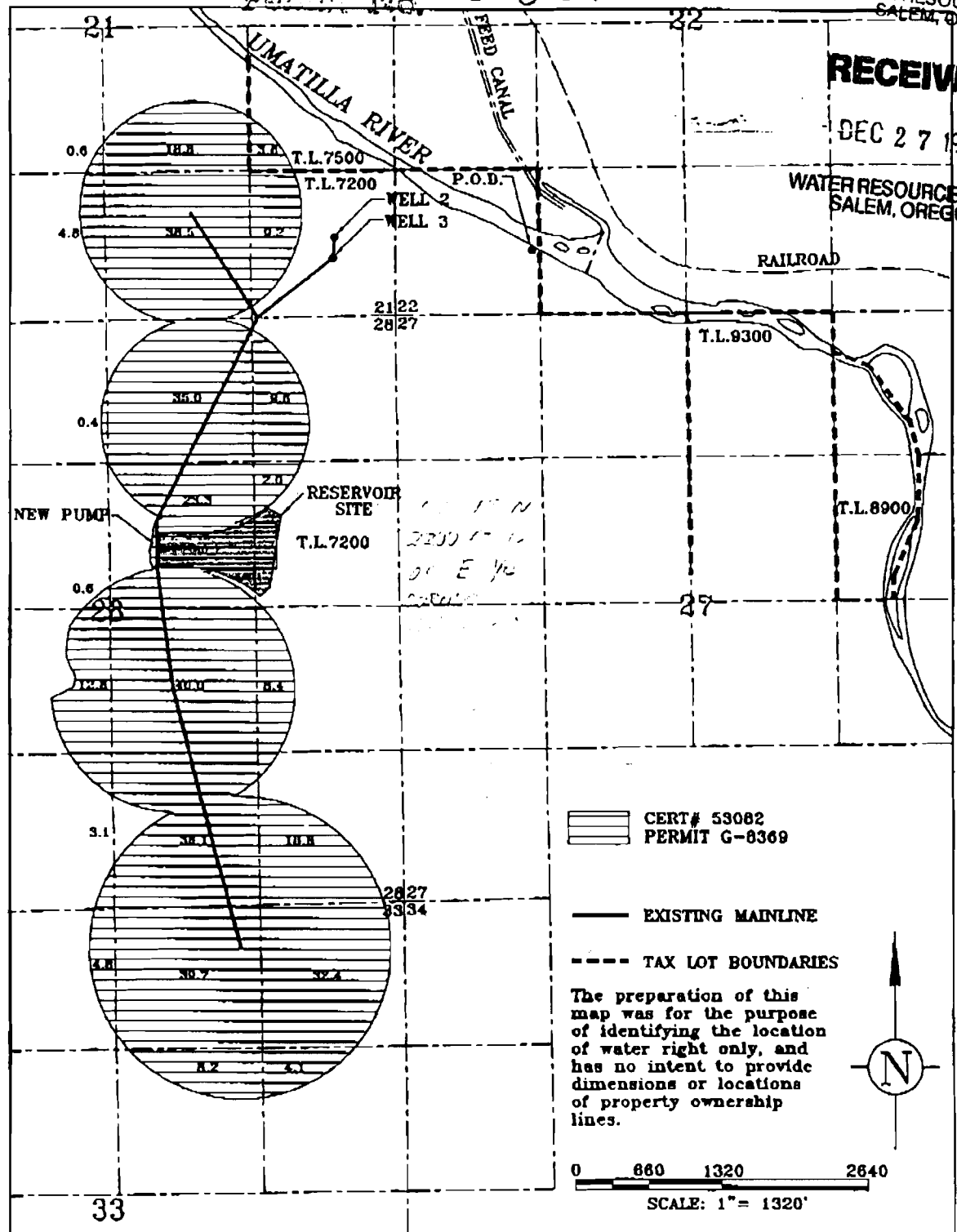
RECEIVED

NOV 12 1999

Application No. 84325

Permit No. S-53733

WATER RESOURCES DEPT.
SALEM, OREGON



RECEIVED

DEC 27 1999

WATER RESOURCES DEPT.
SALEM, OREGON

RON HOLEMAN SURFACE WATER APPLICATION
T.3N. R.29E. W.M.