

T.34S.,R.1W.,W.M.

Tax Lot No. 341W 15CB - 101

Jackson County, Oregon

Application No. S-85241

Permit No. S-53922

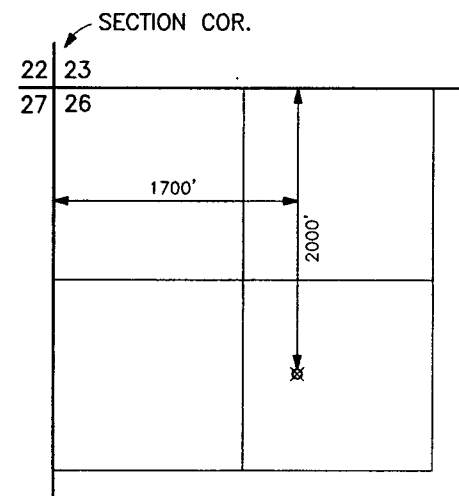
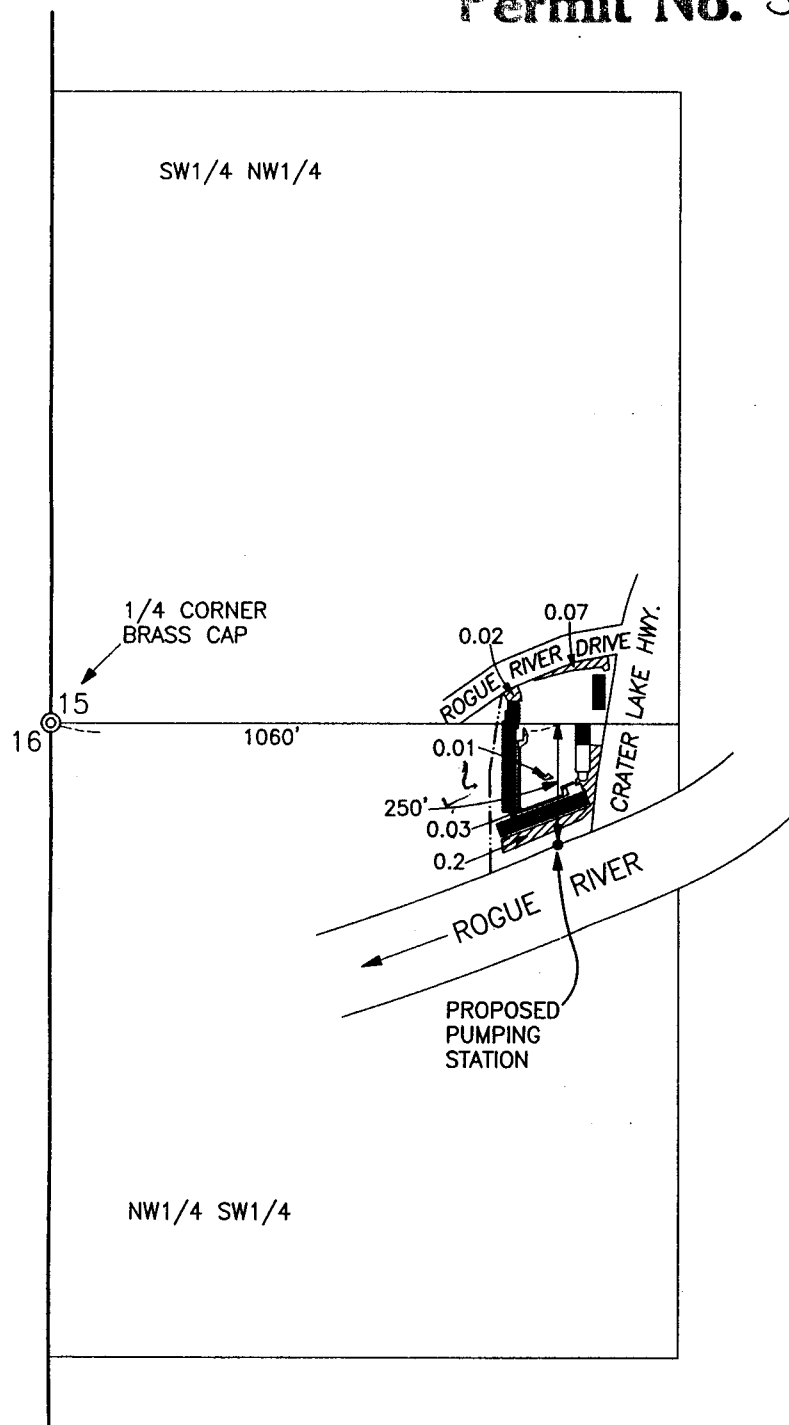
RECEIVED

JUL 17 2002

WATER RESOURCES DEF  
SALEM, OREGON



SCALE 1" = 400'



LOST CREEK RESERVIOR  
POINT OF DIVERSION  
T.33S.,R.1E.,W.M.  
SCALE 1" = 1320'

NOTE: MAP PREPARED FOR  
WATER RIGHT PURPOSES ONLY,  
NOT FOR PROPERTY BOUNDARY  
LOCATIONS.

MAP TO ACCOMPANY AN APPLICATION  
TO USE SURFACE WATER

FOR: GORDON JOELSON  
P.O. BOX 29  
COOS BAY, OR. 97420

PREPARED BY:  
GARY D. KAISER  
KAISER SURVEYING  
19440 HWY. 62  
EAGLE POINT, OR. 97524

JULY 9, 2002