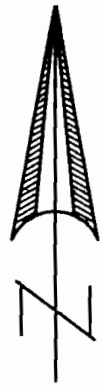
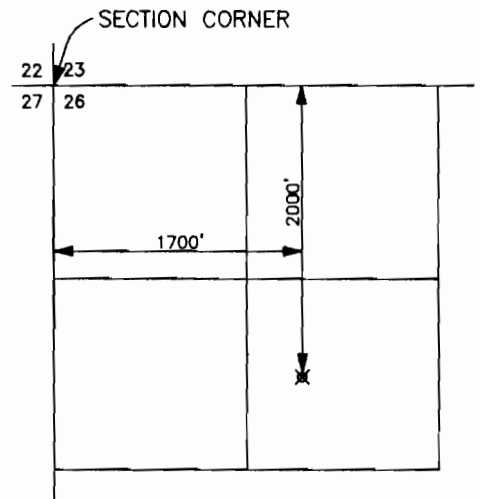
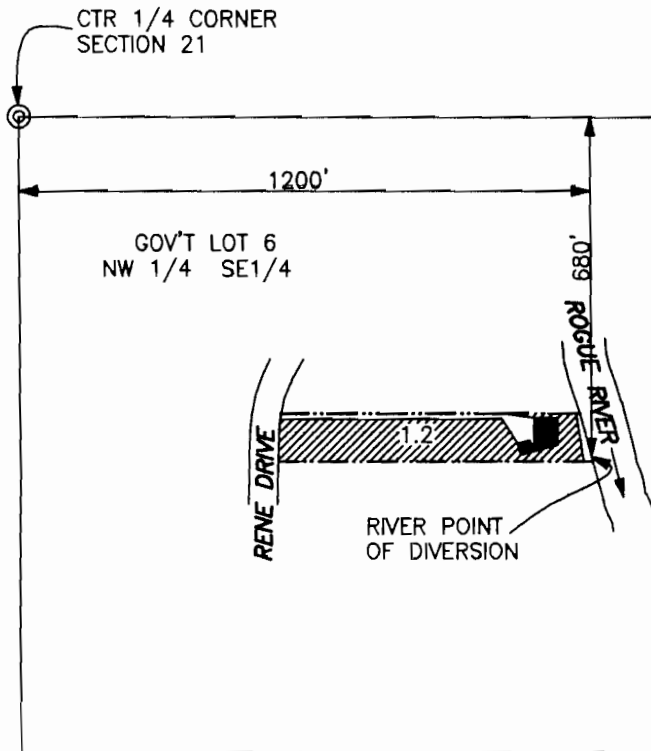


T.34S.,R.1W.,W.M.
 JACKSON COUNTY OREGON
 TAX LOT No. 341W21D-1307



SCALE: 1" = 400'

NOTE: MAP PREPARED FOR
 WATER RIGHT PURPOSES ONLY,
 NOT FOR PROPERTY BOUNDARY
 LOCATIONS.



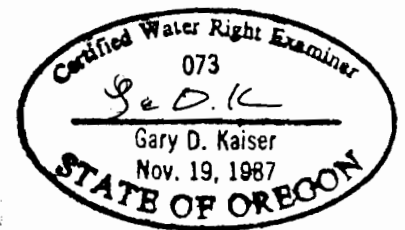
LOST CREEK RESERVOIR
 POINT OF DIVERSION
 T.33S.,R.1E.,W.M.
 SCALE 1" = 1320'

MAP TO ACCOMPANY AN APPLICATION
 TO USE SURFACE WATER.

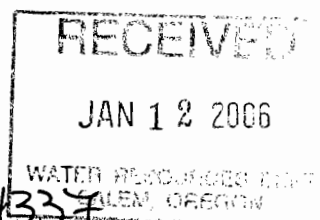
FOR: James Ulrich
 2605 Sepulveda BLVD. #315
 Torrance, CA. 90505

PREPARED BY:
 GARY D. KAISER
 19440 HWY. 62
 EAGLE POINT, OR.
 97524

December 23, 2005



EXP. 6-30-07



app no S-86480 Permit no S-54337