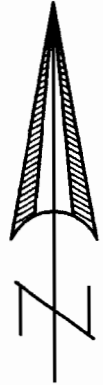
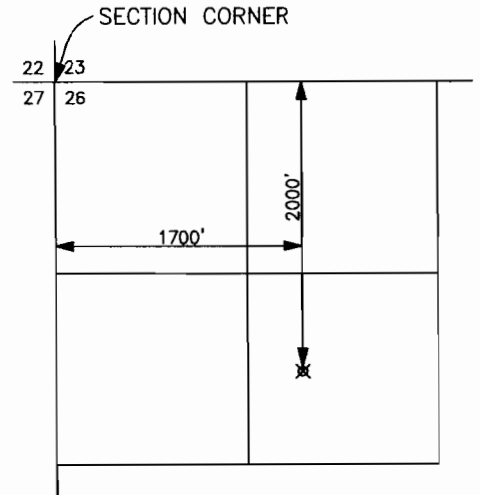
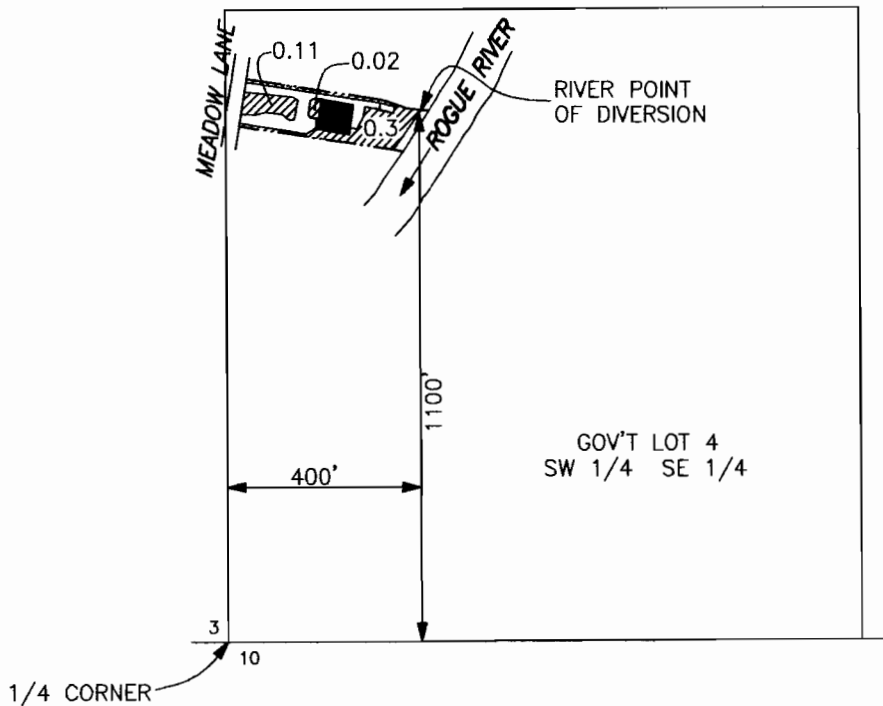


T.34S.,R.1W.,W.M.  
 JACKSON COUNTY OREGON  
 TAX LOT No. 341W03C-1701



SCALE: 1" = 400'

NOTE: MAP PREPARED FOR  
 WATER RIGHT PURPOSES ONLY,  
 NOT FOR PROPERTY BOUNDARY  
 LOCATIONS.



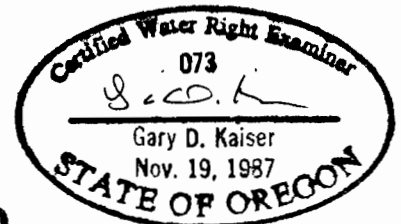
LOST CREEK RESERVIOR  
 POINT OF DIVERSION  
 T.33S.,R.1E.,W.M.  
 SCALE 1" = 1320'

MAP TO ACCOMPANY AN APPLICATION  
 TO USE SURFACE WATER.

FOR: Bill Bryant  
 20 Meadow Lane  
 Shady Cove, OR. 97539

PREPARED BY:  
 GARY D. KAISER  
 19440 HWY. 62  
 EAGLE POINT, OR.  
 97524

December 23, 2005



RECEIVED

EXP 6-30-07

JAN 10 2006

WATER RESOURCES DEPT  
 SALEM, OREGON

app no S-56477