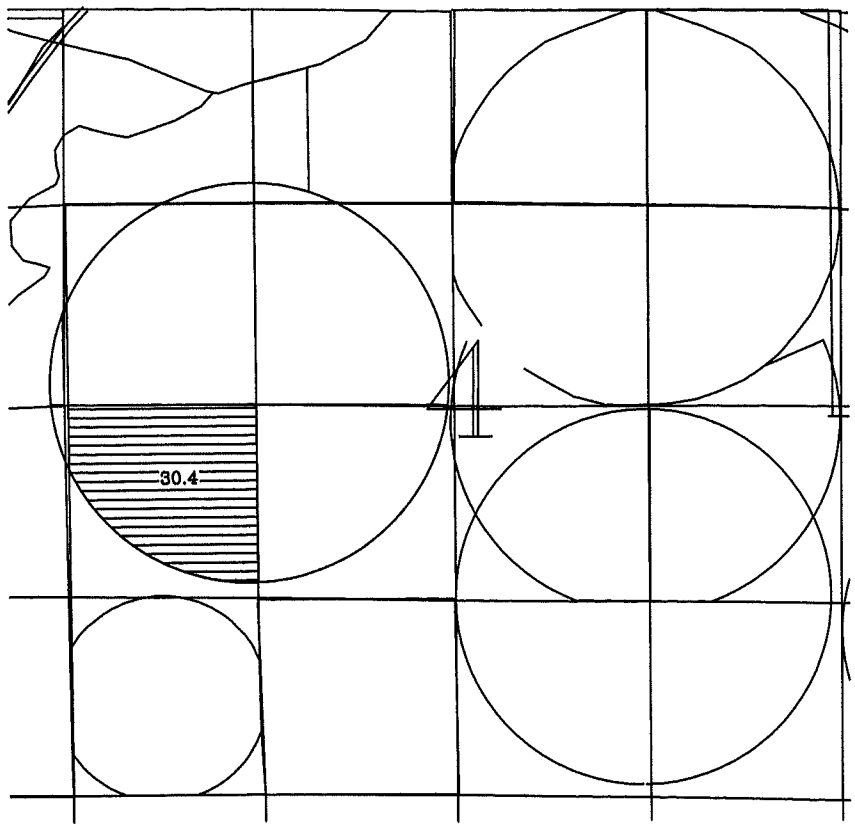
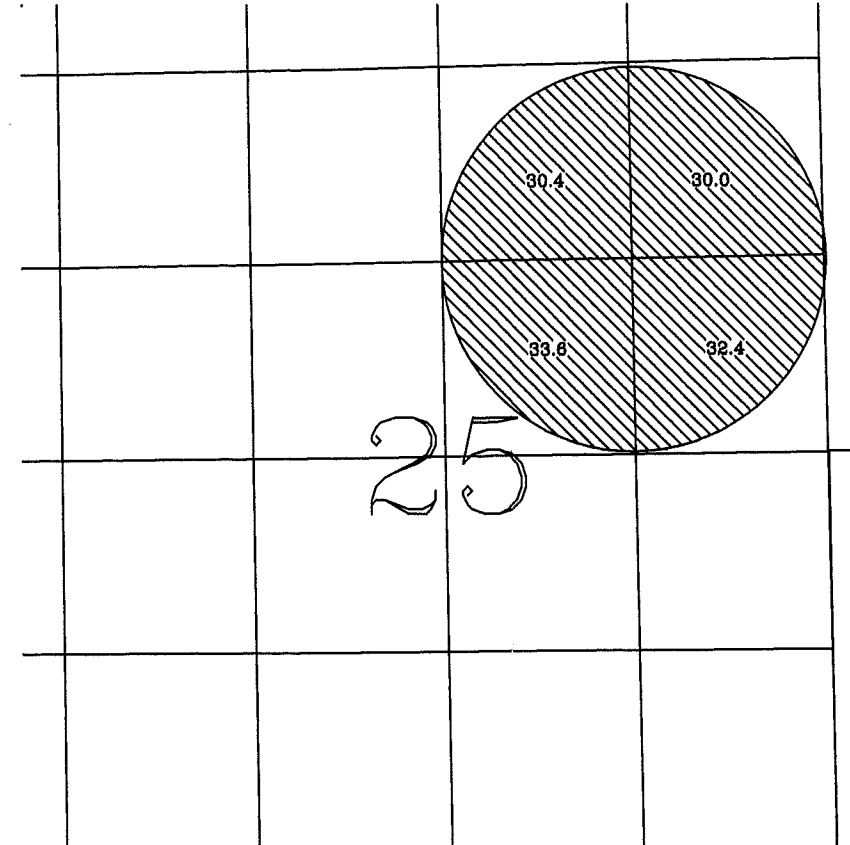


2009 BUREAU OF RECLAMATION APPLICATION MAP FOR WESTLAND IRRIGATION DISTRICT

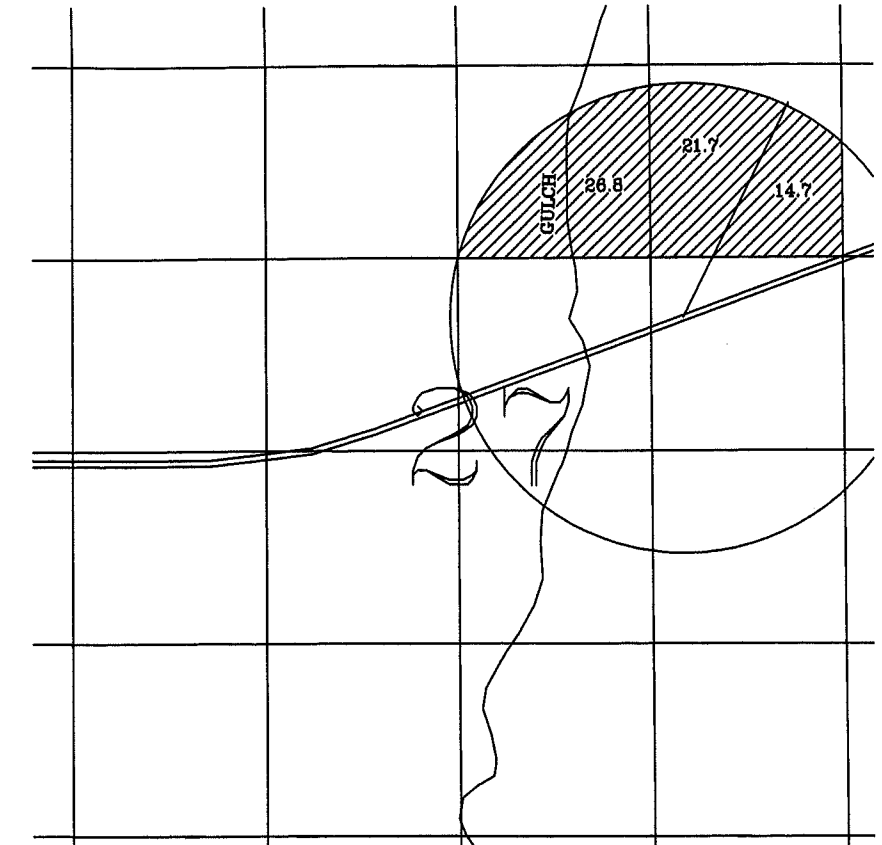
T3N R28E Section 4



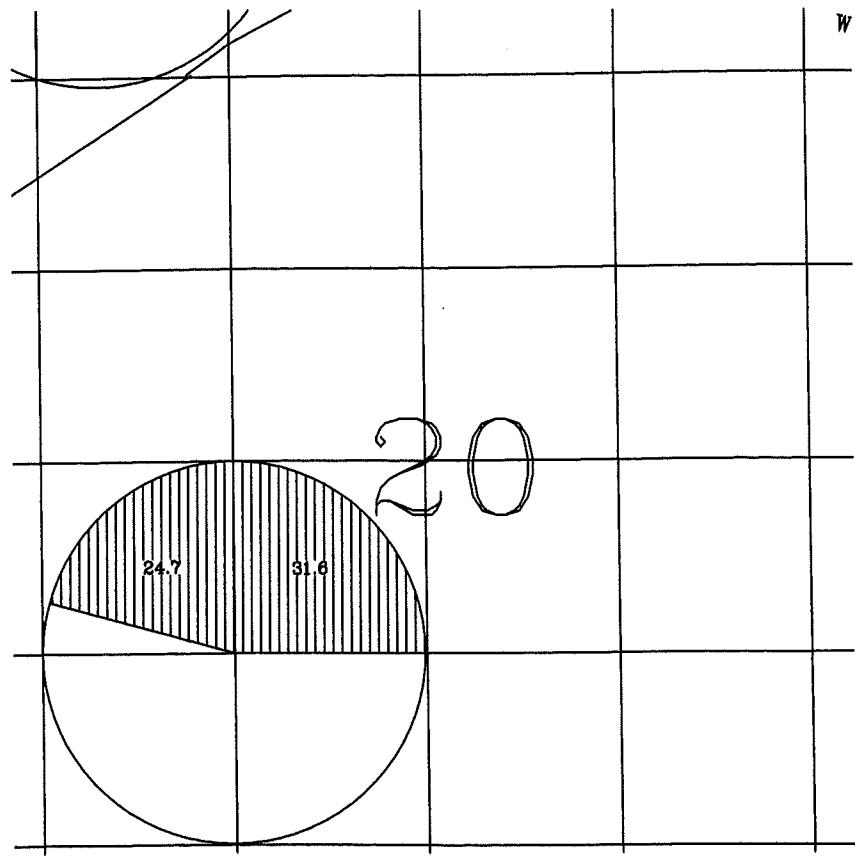
T3N R28E Section 25



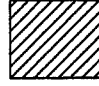



T3N R28E Section 27

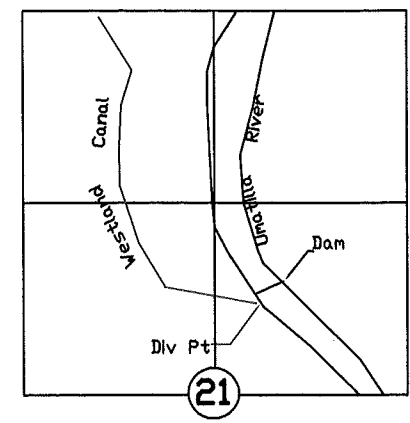


T3N R29E Section 20



-  BAR-U 30.4 acres
-  PRIOR 126.4 acres
-  LEVY 63.2 acres
-  AMSTAD 56.3 acres

T3N., R 29E., W.M.

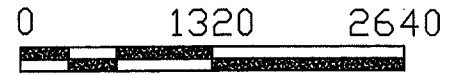
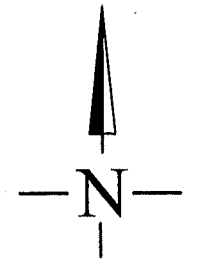


McKAY DAM: NW¹/₄ SE¹/₄, section 34, T2N, R32E, W.M.; water is run down the natural channels of McKay Creek and Umatilla River and is re-diverted at Westland Irrigation District canal.

WESTLAND CANAL: North 76 degrees 45 minutes 56 seconds, East 2913.19 feet from the West ¹/₄ Corner of Section 21, T3N, R29E, W.M.

RECEIVED
MAY 11 2009

WATER RESOURCES DEPT
SALEM, OREGON



SCALE IN FEET

NOTE: THE PURPOSE OF THIS MAP IS TO IDENTIFY THE APPROXIMATE LOCATION OF THE WATER RIGHT. IT IS NOT INTENDED TO PROVIDE INFORMATION RELATIVE TO THE LOCATION OF PROPERTY OWNERSHIP BOUNDARY LINES.