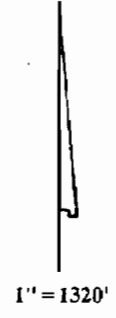
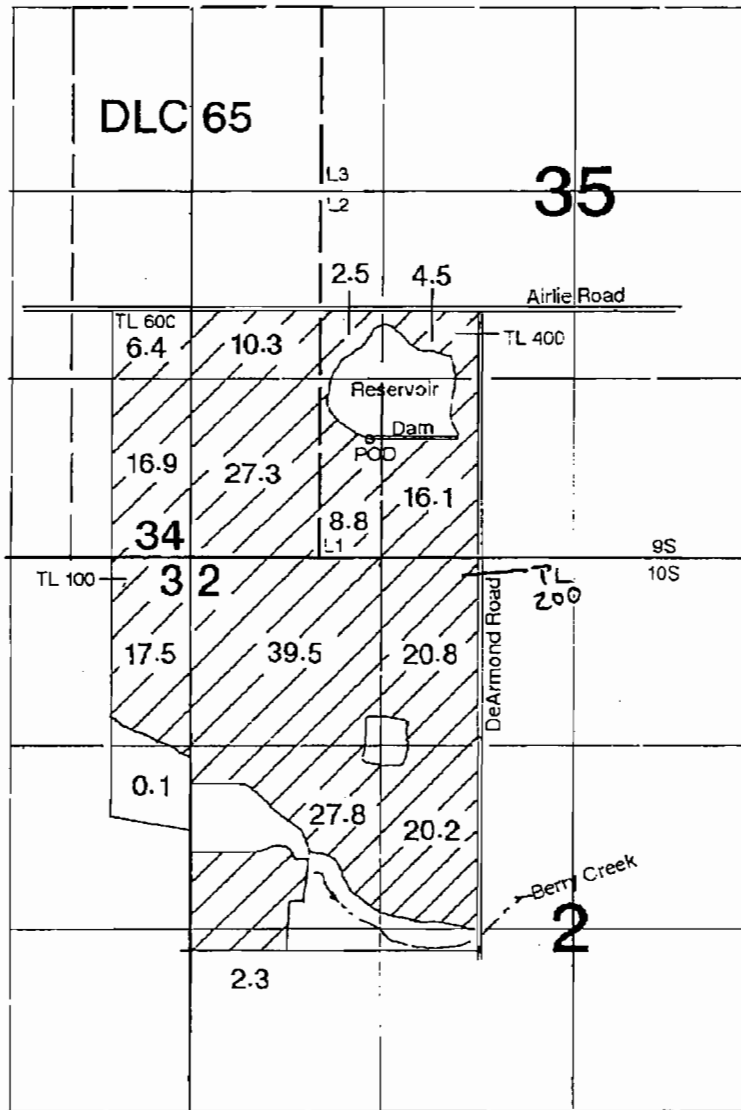


# T.9S. & 10S., R.5W., W.M.



POD is located 910' N & 1250' E from the SW corner of Section 35.

## Application Map

# Garth & Susan Mulkey

Application #: 587691

S-87691

This Map was Prepared for the Purpose of Identifying the Location of a Water Right; Only and is Not Intended to Provide Legal Dimensions or Location of Property Ownership Lines.

**RECEIVED**

MAY 16 2011

WATER RESOURCES DEPT  
SALEM, OREGON

