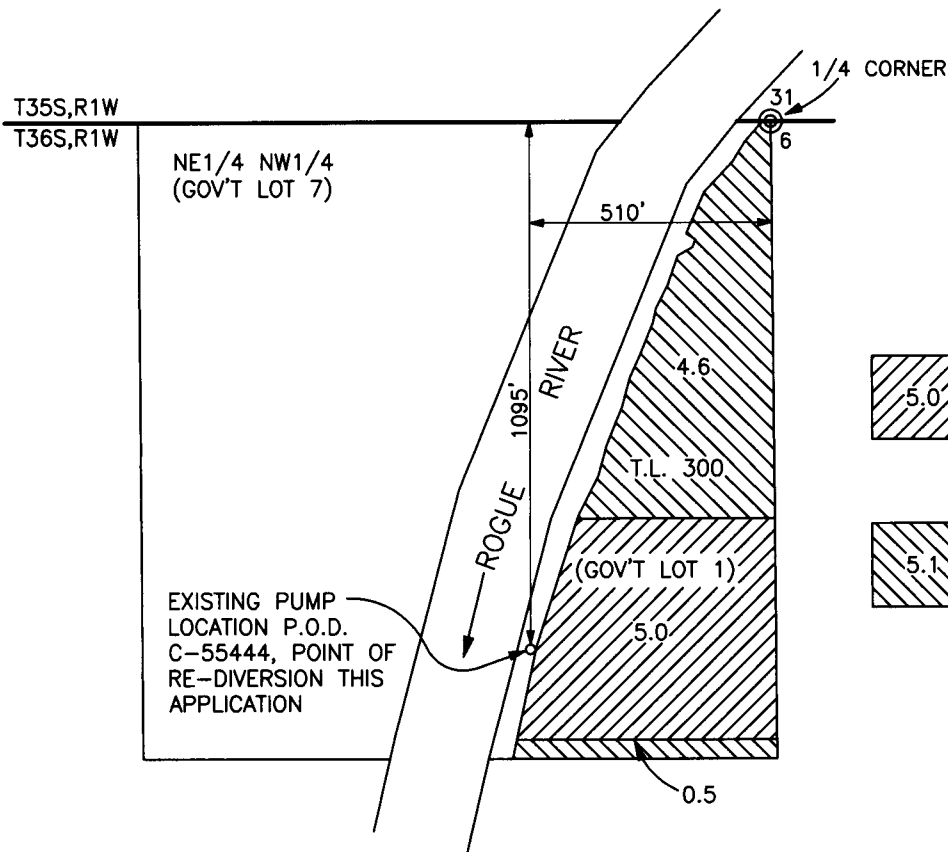


# T.36S.,R.1W.,W.M.

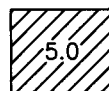
Jackson County, Oregon  
 Tax Lot No. 361W 06 - 300  
 ROGUE RIVER BASIN



SCALE 1" = 400'



NOTE: MAP PREPARED FOR WATER RIGHT PURPOSES ONLY, NOT FOR PROPERTY BOUNDARY LOCATIONS.



= AUTHORIZED IRRIGATED AREA PERMIT NO. 2282, CERT. NO. 55444, T-4190. PRIORITY DATE 11-30-1914



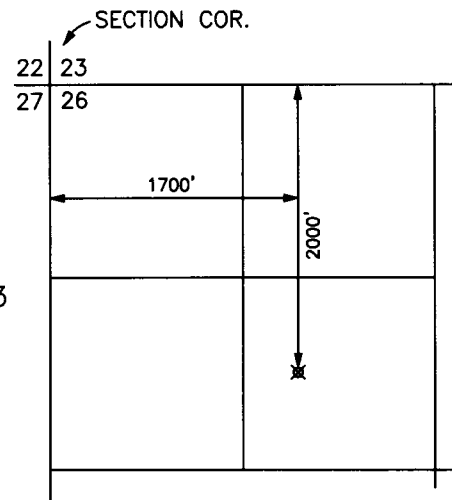
= AREA REQUESTING LOST CREEK RESERVOIR WATER. RESERVOIR CONSTRUCTED UNDER PERMIT NO. R-8142.

MAP TO ACCOMPANY AN APPLICATION FOR A PERMIT TO USE SURFACE WATER, LOST CREEK RESERVOIR WATER, A TRIBUTARY OF THE ROGUE RIVER

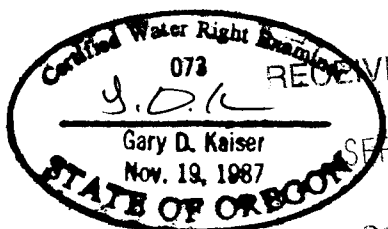
PREPARED FOR:  
 THE JANUARY TRUST  
 RONALD E. NASH, TRUSTEE  
 360 HAMILTON AVE., SUITE 100  
 WHITE PLAINS, NY. 10601

PREPARED BY:  
 GARY D. KAISER, CWRE #73  
 19440 HWY. 62  
 EAGLE POINT, OR. 97524

JULY 28, 2014



LOST CREEK RESERVOIR  
 POINT OF DIVERSION  
 T.33S.,R.1E.,W.M.  
 SCALE 1" = 1320'



RECEIVED BY OWRD

RECEIVED BY OWRD

AUG 14 2014

SEP 08 2014

SALEM, OR

SALEM, OR  
 S-88012