

Janet Christie  
 2578 Happy Valley Dr  
 Medford, OR  
 97501

T.39S., R.3W.

Point of Diversion No. 1 - Situated 480' West and 230' North of South One-Quarter Corner, Section 3. Fish Screen at Point of Diversion.

NE 1/4 SW 1/4  
 Section 3

Applegate River  
 Source: Little  
 Applegate River

Upper Applegate Road

Center 1/4 Cor.  
 Section 11

T.39S., R.3W.

Point of Diversion  
 No. 1

S. 1/4 Cor.  
 Section 3

NW 1/4 SE 1/4  
 Section 11

RECEIVED BY OWRD

JUN 24 2013

3.00 AC  
 SALEM, OR

Mainline

Ditch



Scale: 1"=400'  
 Date: August 7, 2006

Farmers  
 Ditch

Flow Meter

**LEGEND**

Little Applegate Road

Booster Pump

● Found Survey Monument

■ Denotes Building

BP Denotes Booster Pump

M Denotes Flow Meter

== Denotes Driveway

- - - Denotes Mainline Pipe

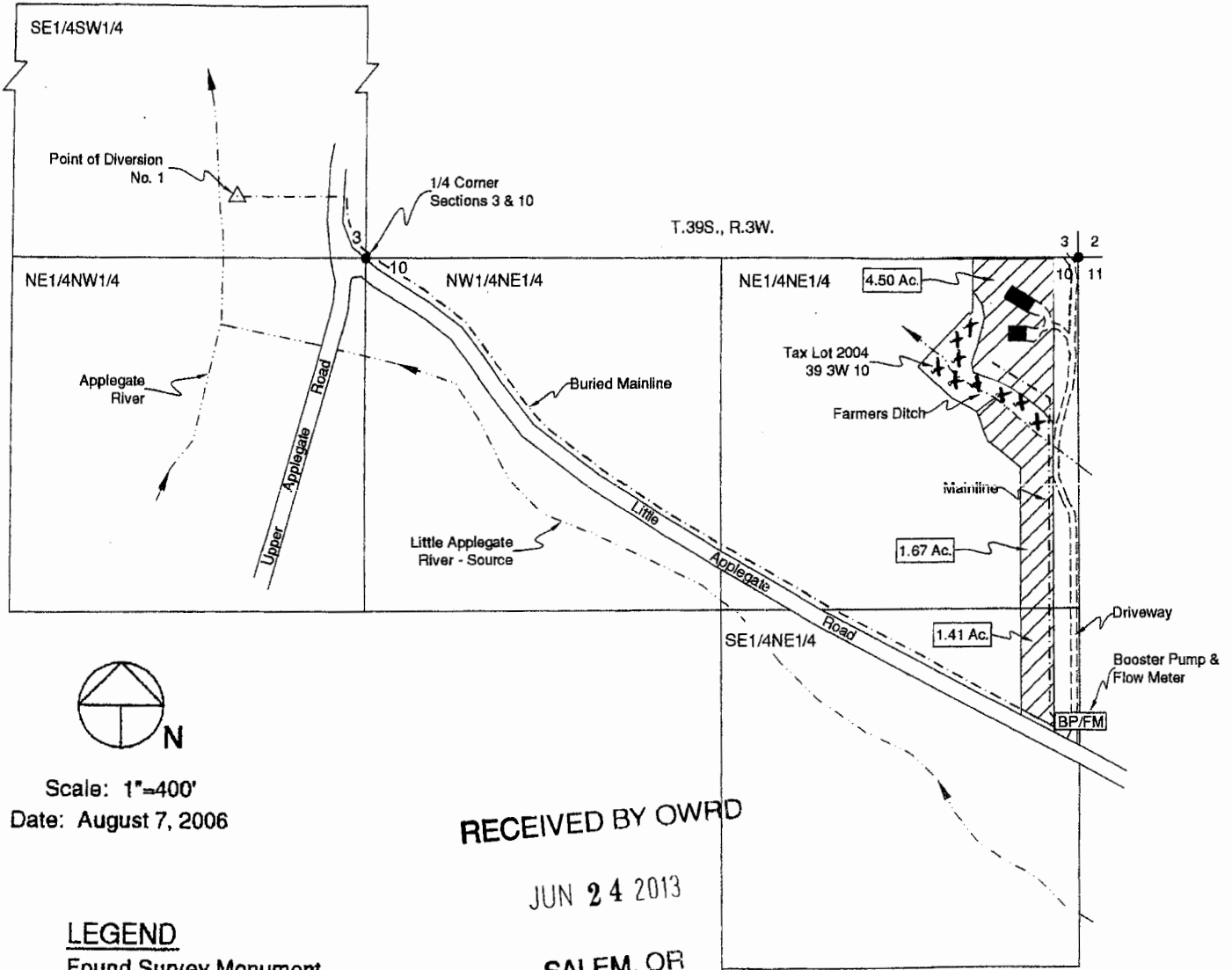
▨ Denotes Area Under  
 Special Order Volume 61  
 Pages 412-414, Priority  
 Date: 1885 and Pages 440-442

NE 1/4 SW 1/4, SECTION 11, T.39S., R.3W., W.M.  
 JACKSON COUNTY, OREGON

▨ Denotes Area for  
 Additional Stored Water

S-87914

JACQUELINE LUCAS  
 485 LITTLE APPLGATE ROAD  
 JACKSONVILLE, OREGON 97530



RECEIVED BY OWRD

JUN 24 2013

SALEM, OR

NE1/4NE1/4, SE1/4NE1/4  
 SEC. 10, T.39S., R.3W., W.M.  
 JACKSON COUNTY, OREGON

Point of Diversion No. 1 - Situated 480' West  
 and 230' North of South One-Quarter Corner,  
 Section 3. Fish Screen at Point of Diversion.

**LEGEND**

- Found Survey Monument
- Denotes Building
- === Denotes Driveway
- - - Denotes Mainline Pipe
- BP/FM Denotes Booster Pump & Flow Meter
- ▨ Denotes Area Under Special Order  
Volume 61, Pages 406-408, 409-411  
Priority Date 1854
- +++ Denotes Area for  
Additional Stored Water

S-87914

JULIET ANDERSON  
 1201 LITTLE APPLGATE ROAD  
 JACKSONVILLE, OREGON 97530

Tax Lot 201

T.39S., R.3W.

SE1/4SW1/4  
 Section 3

Applegate River  
 Source: Little  
 Applegate River

Upper Applegate Road

Point of Diversion  
 No. 1

S. 1/4 Cor.  
 Section 3

Point of Diversion No. 1 - Situated 480' West  
 and 230' North of South One-Quarter Corner,  
 Section 3. Fish Screen at Point of Diversion.

Little Applegate Road

Buck &  
 Jones  
 Ditch

Center 1/4 Cor.  
 Section 11

T.39S., R.3W.

NE1/4SW1/4  
 Section 11

NW1/4SE1/4  
 Section 11

RECEIVED BY OWRD

JUN 24 2013

SALEM, OR





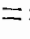
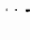

Road and  
 Pipeline  
 Connect




Scale: 1"=400'

Date: October 30, 2006

**LEGEND**

-  Found Survey Monument
-  Denotes Building
-  Denotes Booster Pump
-  Denotes Flow Meter
-  Denotes Driveway
-  Denotes Mainline Pipe
-  Denotes Area Under Special Order Volume 61 Pages 437-439, Priority Date: 1885

 Denotes Area for Additional Stored Water

NW1/4SE1/4, NE1/4SW1/4  
 SECTION 11, T.39S., R.3W., W.M.  
 JACKSON COUNTY, OREGON  
 FOR

S-87914

